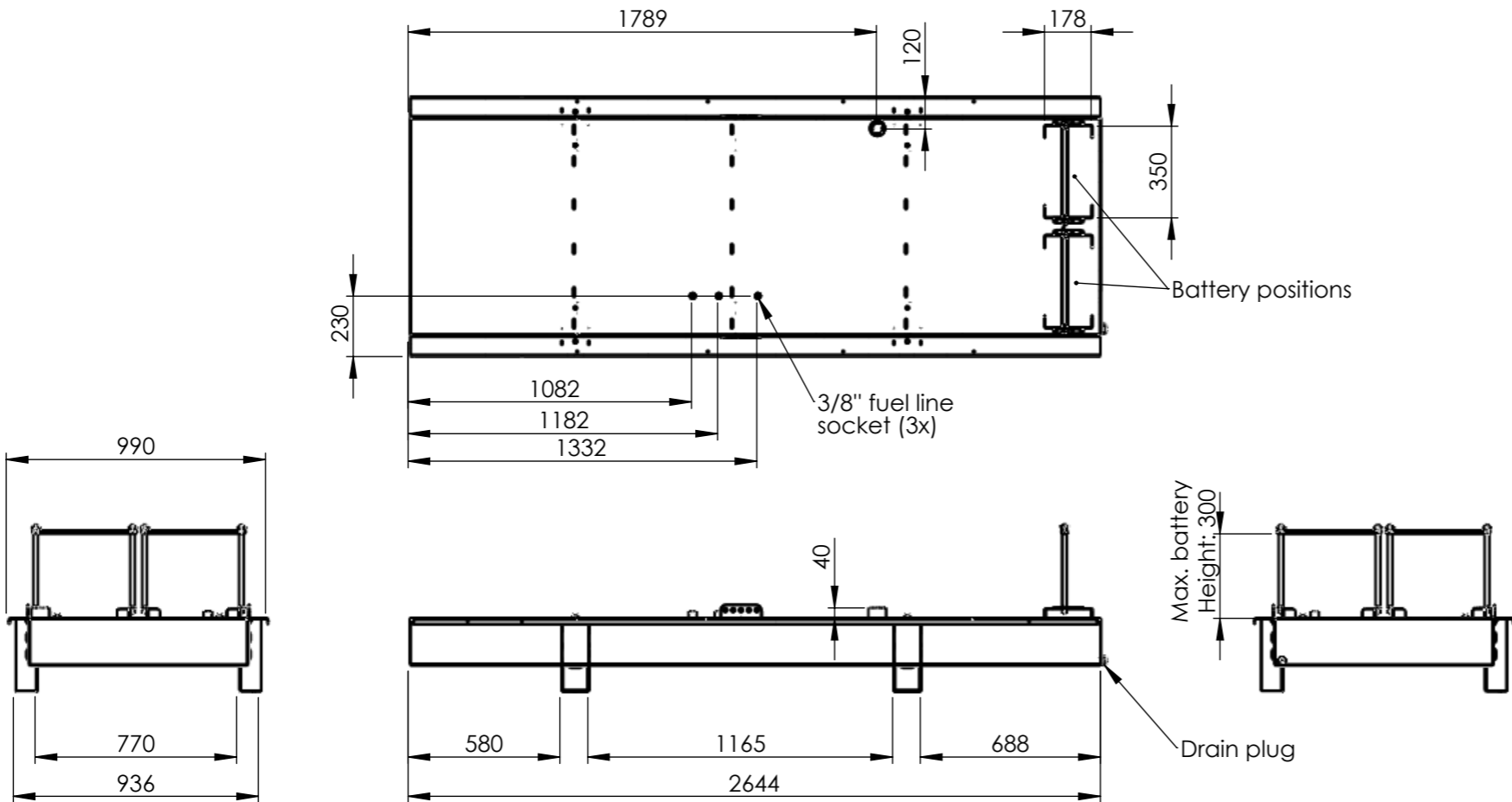
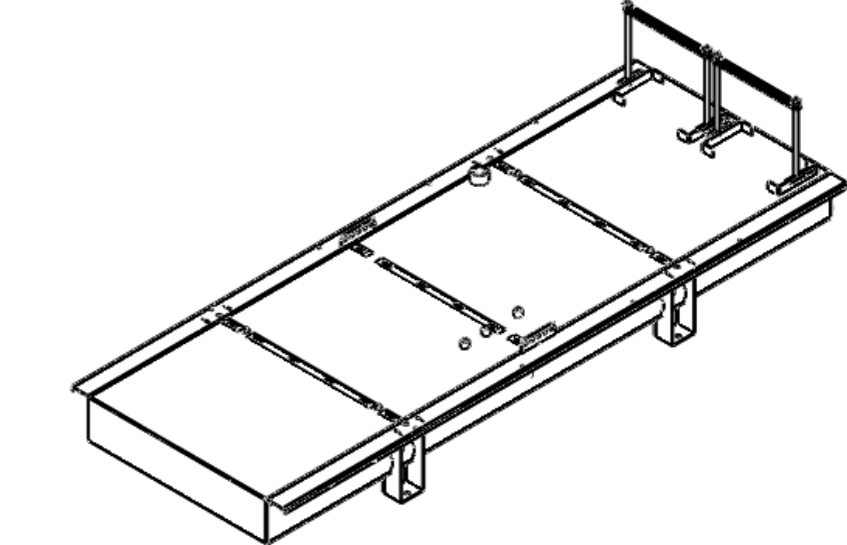
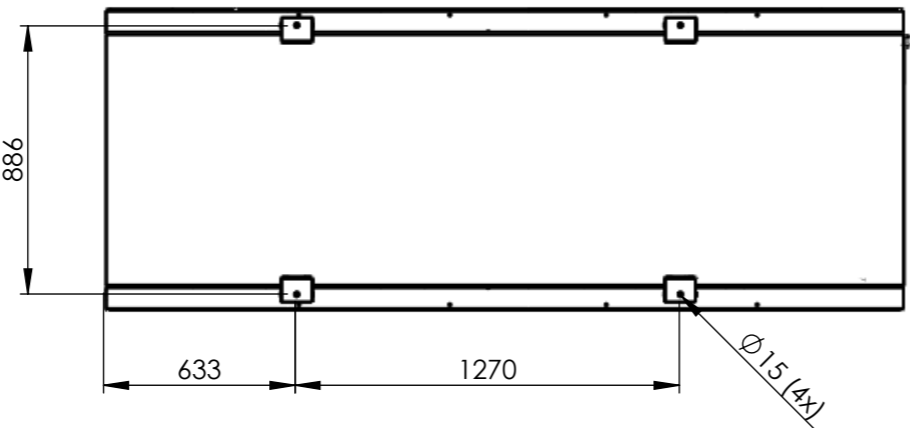


REV.	DESCRIPTION	DATE	DRAWN

Fueltank volume (approx): 380 L  
 Weight (approx): 136 kg



Floor mounting positions



<b>SOUND PROOF SYSTEMS BV</b>				Draw. by:																					
				Date:	17-7-2015																				
<table border="1"> <thead> <tr> <th>Mod.</th> <th>Description:</th> <th>Date:</th> <th>Sign:</th> <th>Art.nr.: ARTICLE_NUMBER</th> <th>Dimensions: mm.</th> </tr> </thead> <tbody> <tr> <td>A</td> <td></td> <td></td> <td></td> <td rowspan="3">Name:</td> <td rowspan="3">TAF-200 non-bunded</td> </tr> <tr> <td>B</td> <td></td> <td></td> <td></td> </tr> <tr> <td>C</td> <td></td> <td></td> <td></td> </tr> </tbody> </table>		Mod.	Description:	Date:	Sign:	Art.nr.: ARTICLE_NUMBER	Dimensions: mm.	A				Name:	TAF-200 non-bunded	B				C				Check. by: ****		Scale:	1:25
		Mod.	Description:	Date:	Sign:	Art.nr.: ARTICLE_NUMBER	Dimensions: mm.																		
A				Name:	TAF-200 non-bunded																				
B																									
C																									
Your reference:		SHEET 1 OF 1		Size	A3																				
				Third angle projection		Drawing nr.: TAF-200 non-bunded																			