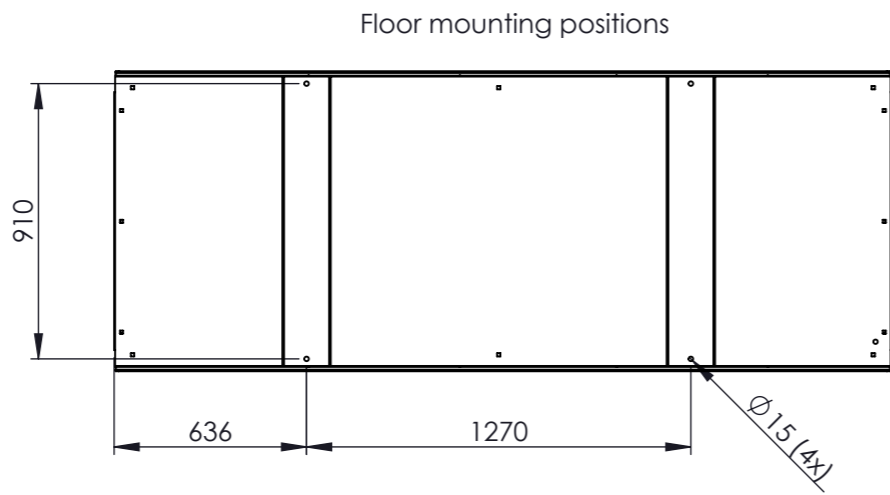
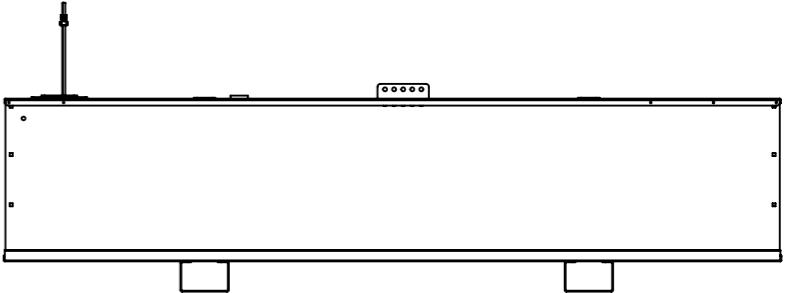
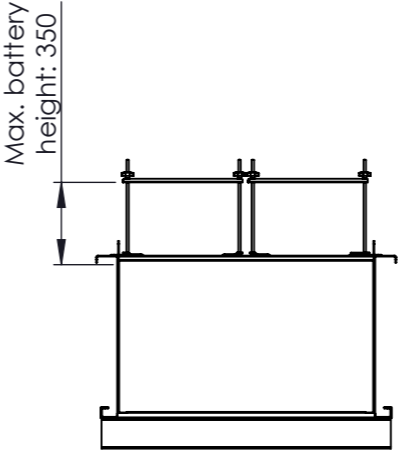
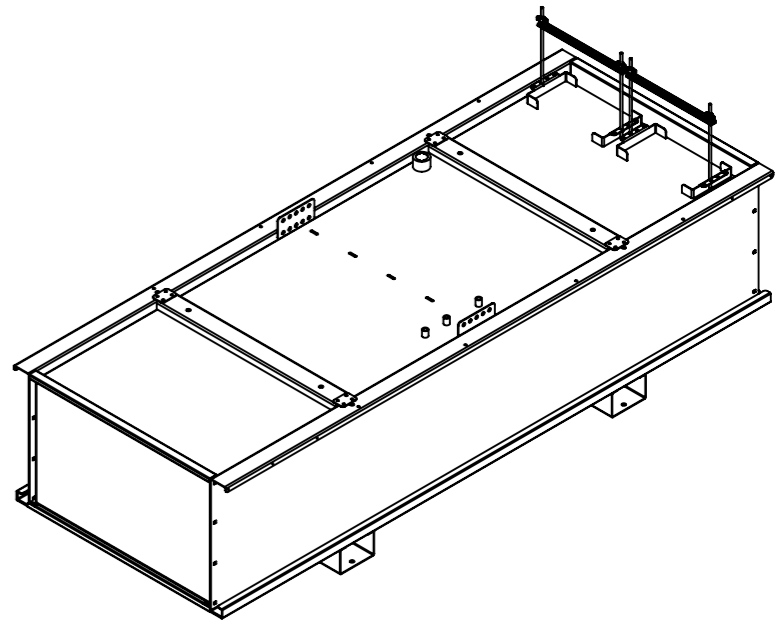
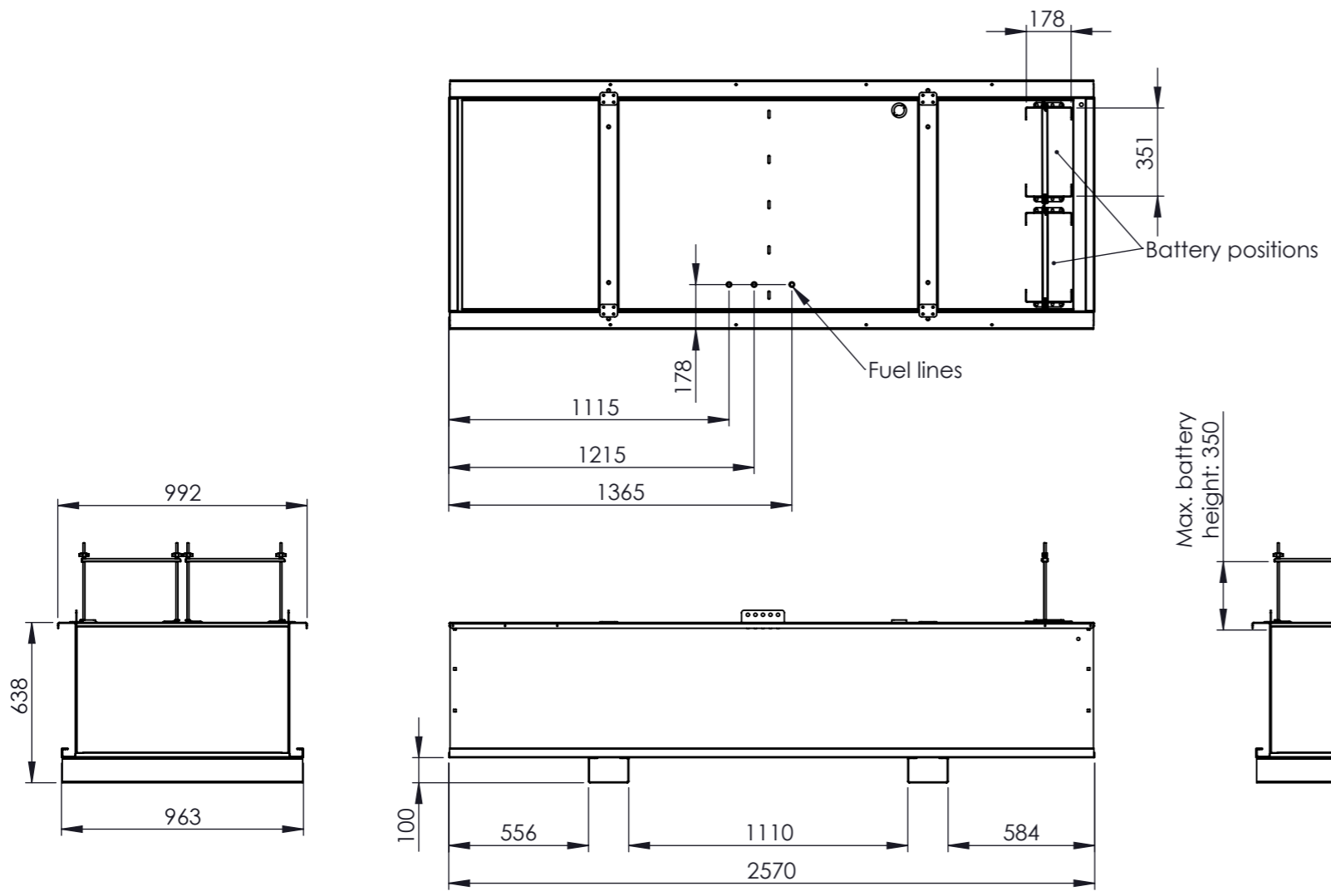
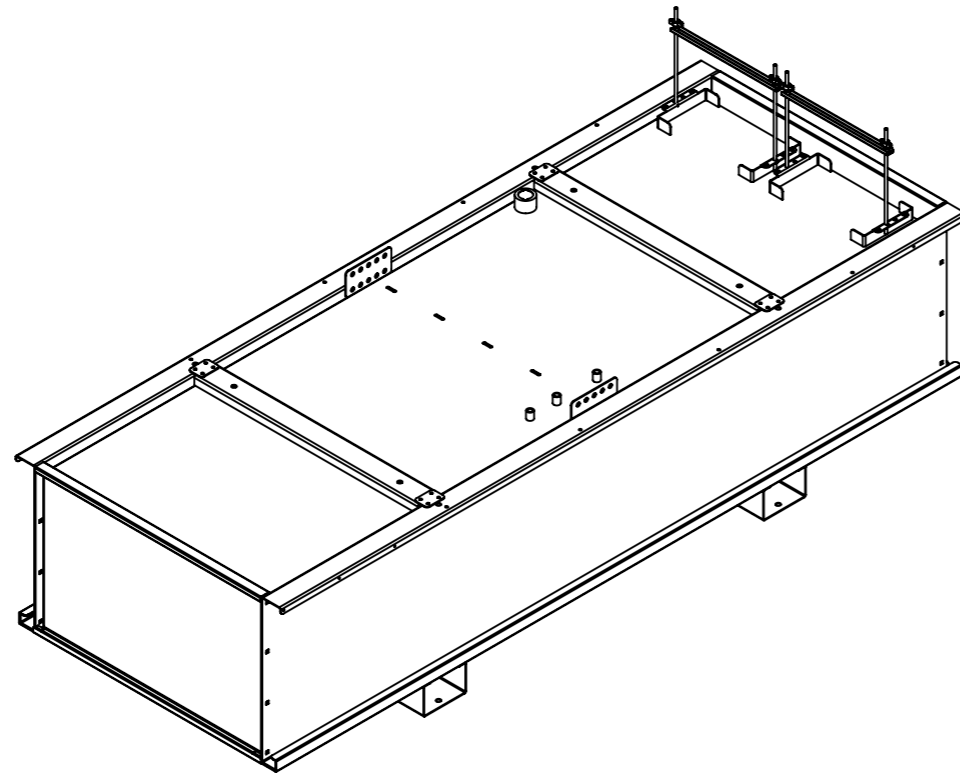
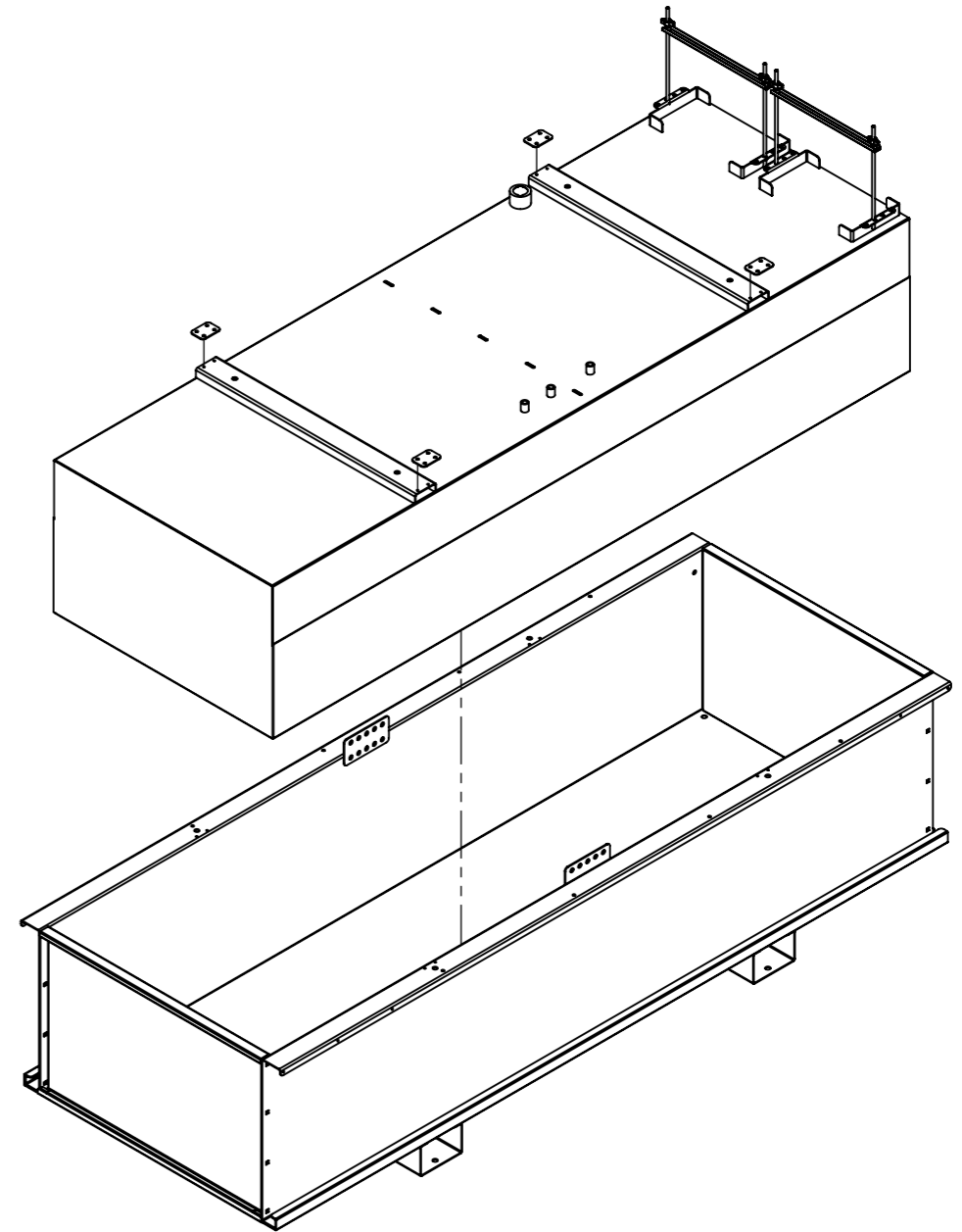
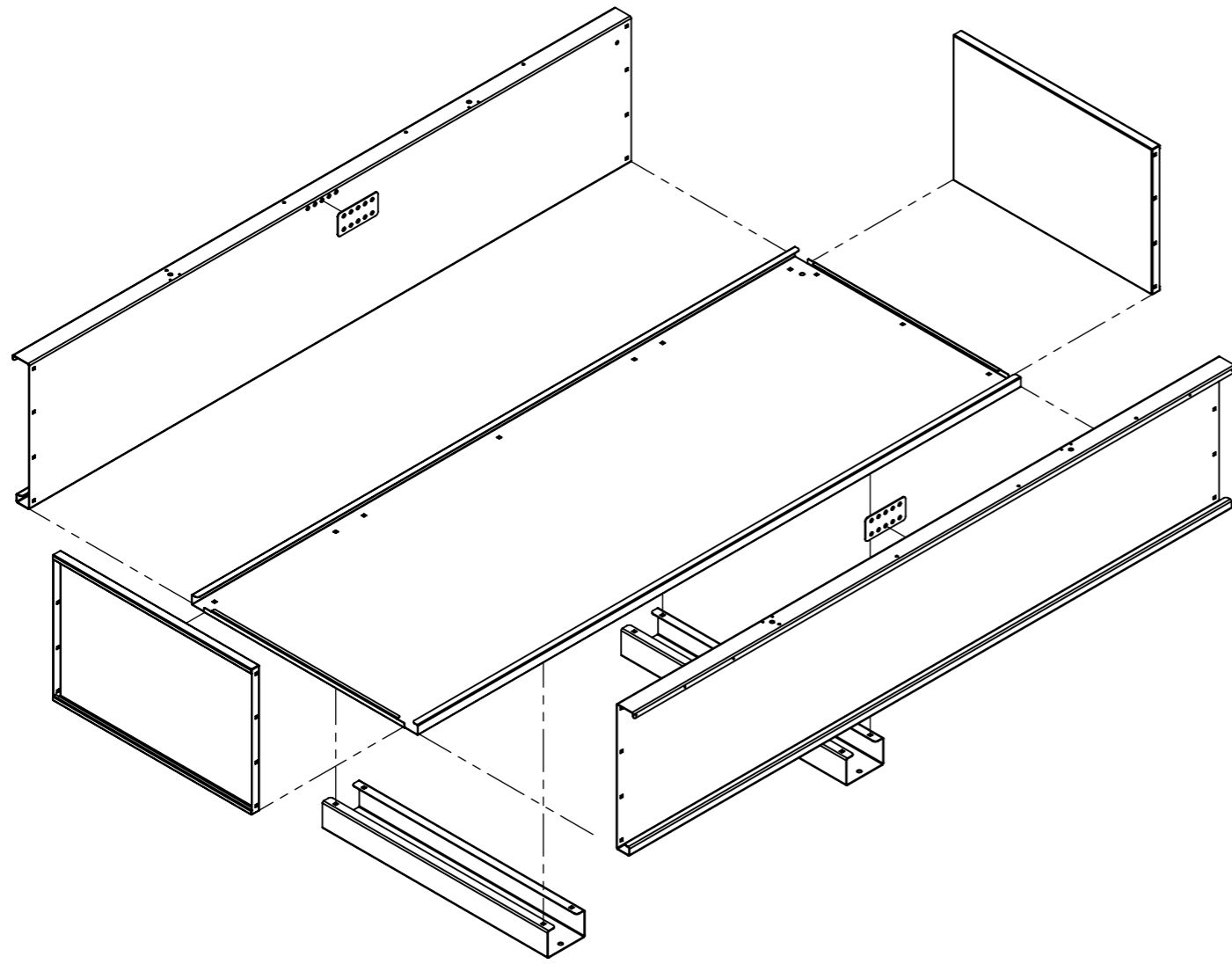


REV.	DESCRIPTION	DATE	DRAWN



Fuel tank volume (approx): 1000 L
 Weight (approx): 312 kg


SOUND PROOF SYSTEMS BV				Draw. by: ****																			
				Date: 1-4-2015																			
<table border="1"> <thead> <tr> <th>Mod.</th> <th>Description:</th> <th>Date:</th> <th>Sign:</th> <th>Art.nr.: ARTICLE_NUMBER</th> <th>Dimensions: mm.</th> </tr> </thead> <tbody> <tr> <td>A</td> <td></td> <td></td> <td></td> <td rowspan="3">Name:</td> <td rowspan="3">TAF-180 bunded</td> </tr> <tr> <td>B</td> <td></td> <td></td> <td></td> </tr> <tr> <td>C</td> <td></td> <td></td> <td></td> </tr> </tbody> </table>		Mod.	Description:	Date:	Sign:	Art.nr.: ARTICLE_NUMBER	Dimensions: mm.	A				Name:	TAF-180 bunded	B				C				Scale: 1:25 Size: A3	
		Mod.	Description:	Date:	Sign:	Art.nr.: ARTICLE_NUMBER	Dimensions: mm.																
A				Name:	TAF-180 bunded																		
B																							
C																							
Your reference:		SHEET 1 OF 2		Drawing nr.: TAF-180 bunded*																			



SOUND PROOF
SYSTEMS BV



Draw. by: ****
Date: 1-4-2015
Check. by: ****
Scale: 1:25
Size: A3

Mod.	Description:	Date:	Sign:	Art.nr.: ARTICLE_NUMBER	Dimensions: mm.
A				Name: TAF-180 banded	
B					
C					
Your reference:				SHEET 2 OF 2	Third angle projection  Drawing nr.: TAF-180 banded