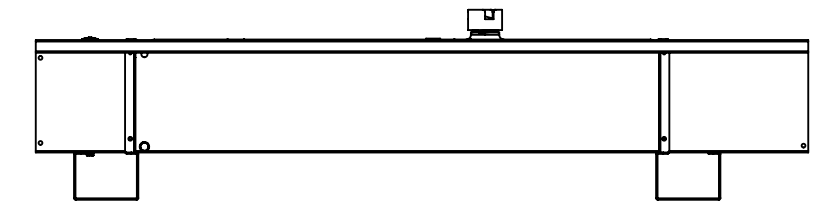
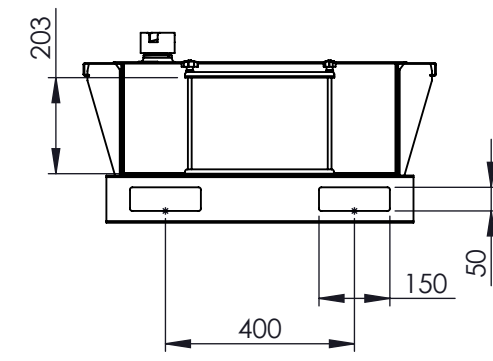
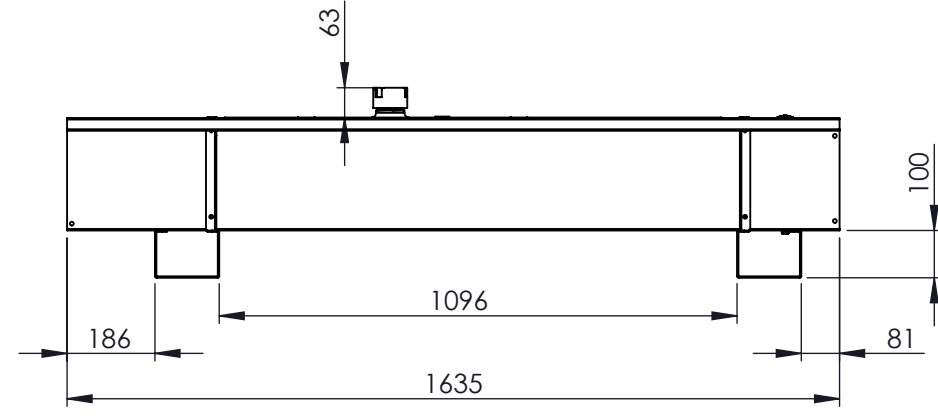
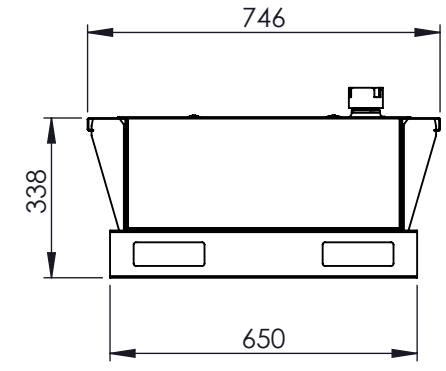
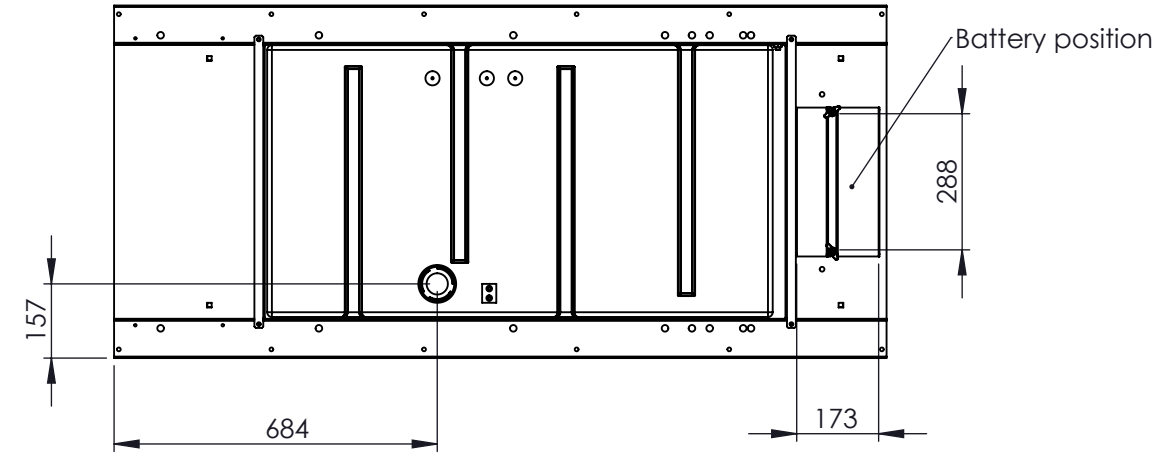
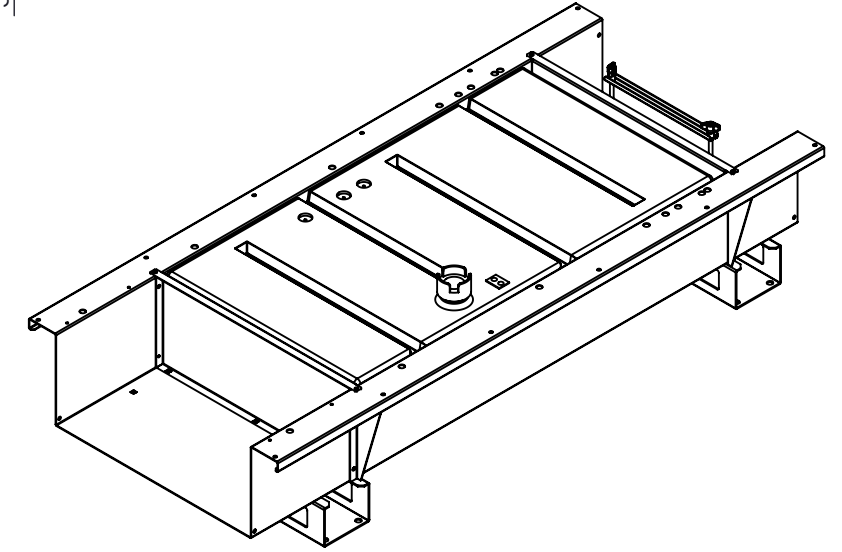
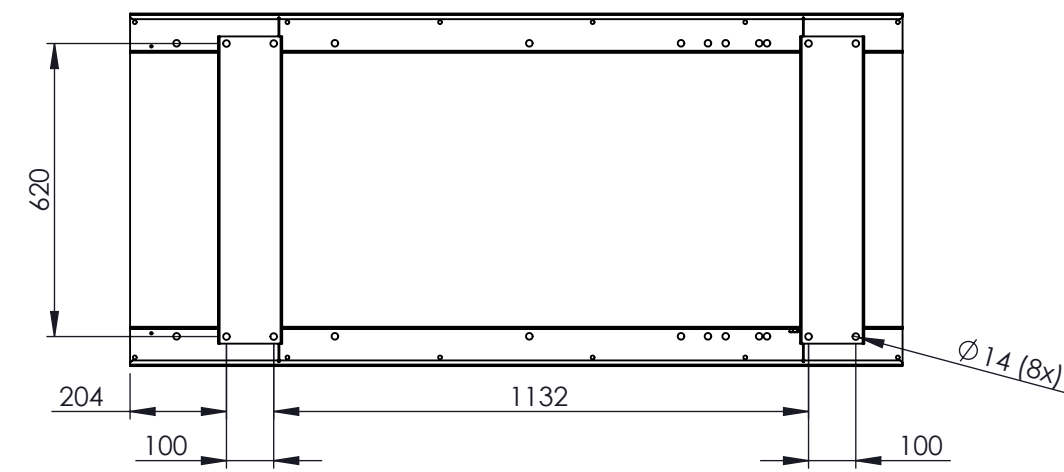


REV.	DESCRIPTION	DATE	DRAWN

Fueltank volume (approx): 130 L  
 Weight (approx): 85 kg



Floor mounting positions



<b>SOUND PROOF SYSTEMS BV</b>				Draw. by: ****	
				Date: 23-2-2015	
				Check. by: ****	
				Scale: 1:16	
				Size: A3	
Mod.	Description:	Date:	Sign:	Art.nr.: ARTICLE_NUMBER	Dimensions: mm.
A				Name: <b>TAF-060 bunded</b>	
B					
C					
Your reference:		SHEET 1 OF 1		Third angle projection 	Drawing nr.: <b>TAF-060</b> *