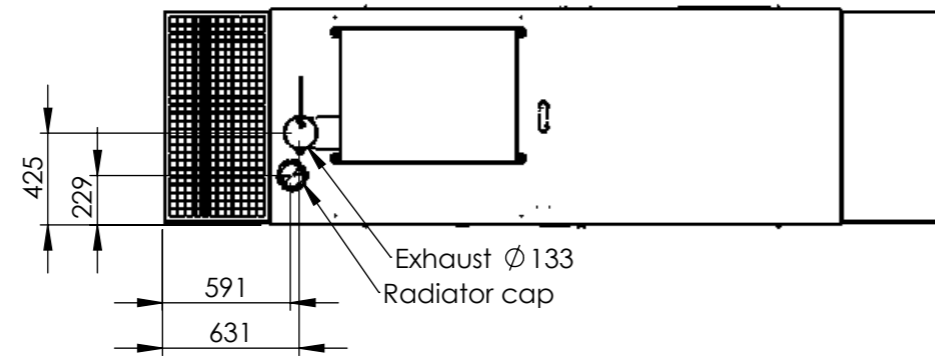
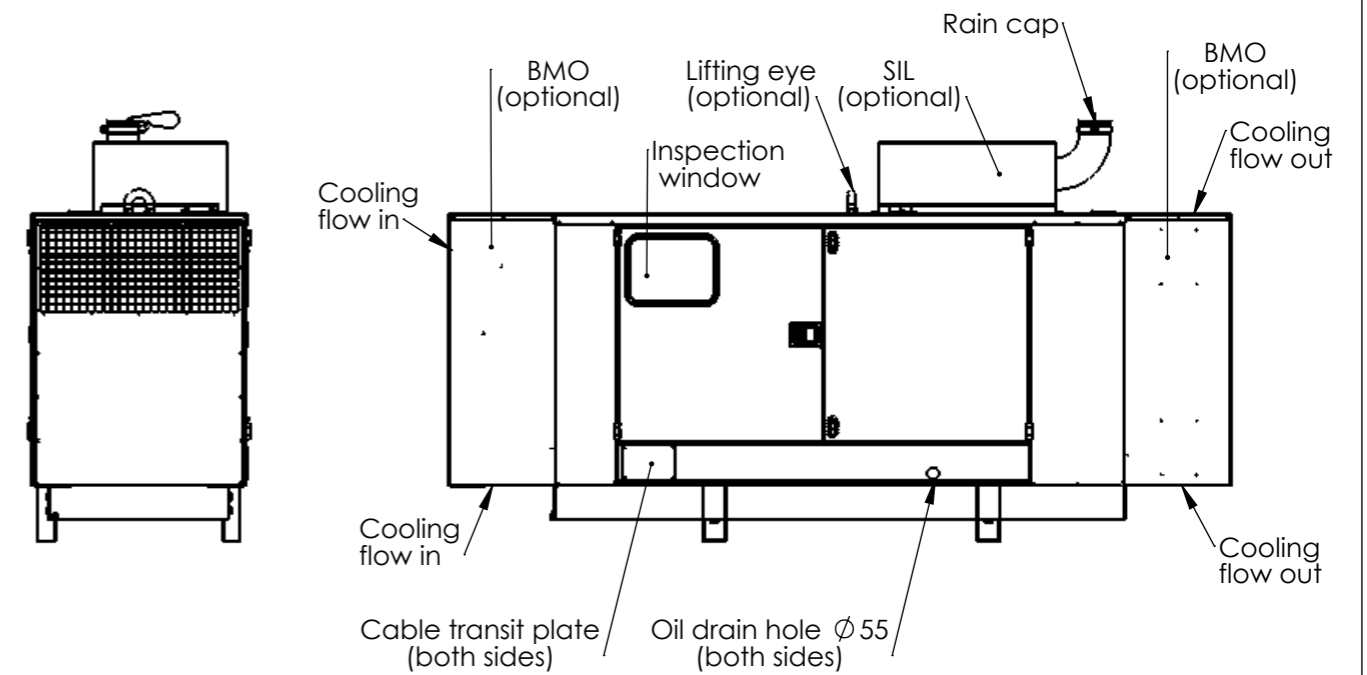
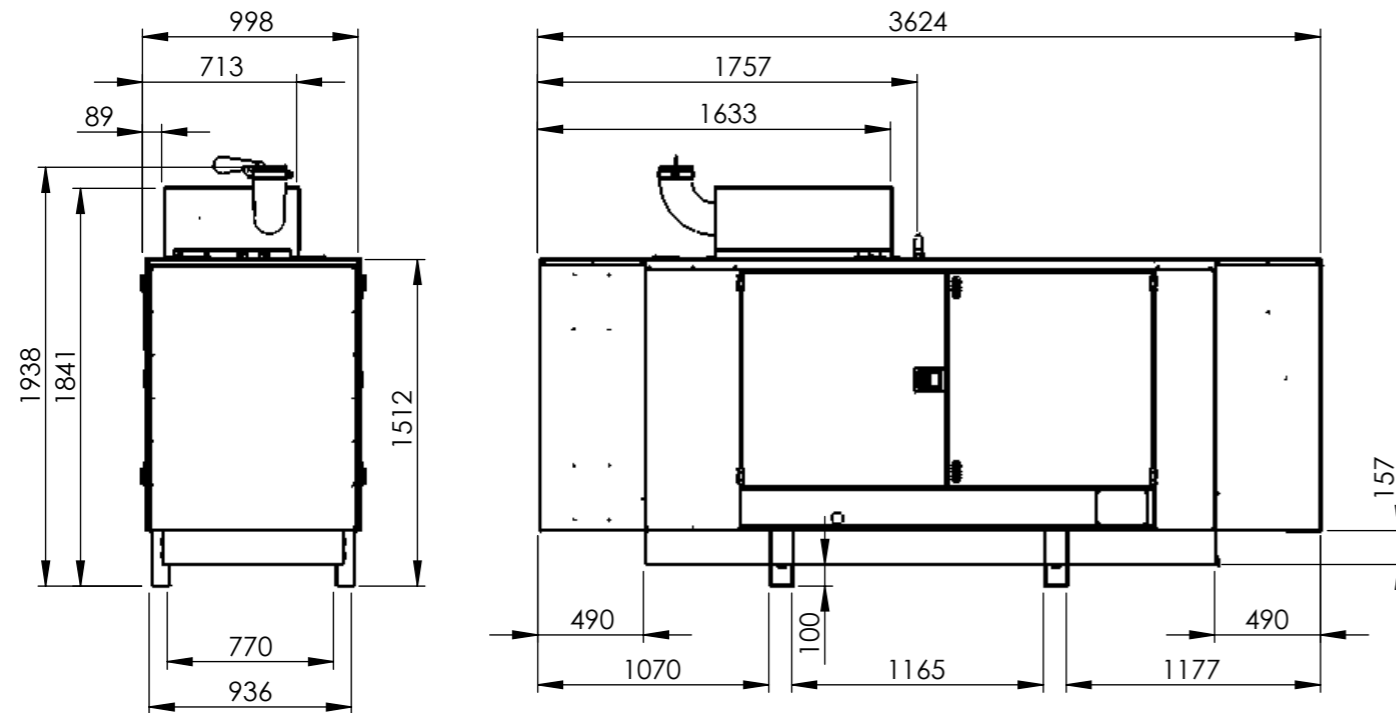


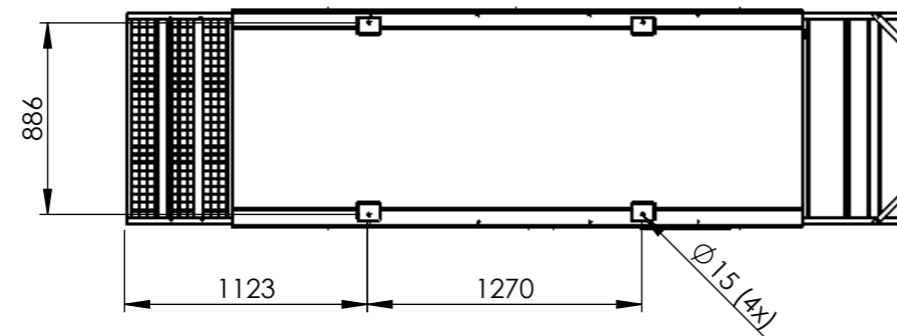
REV.	DESCRIPTION	DATE	DRAWN



Fueltank volume (approx): 380 L  
Weight (approx): 500 kg



Floor mounting positions

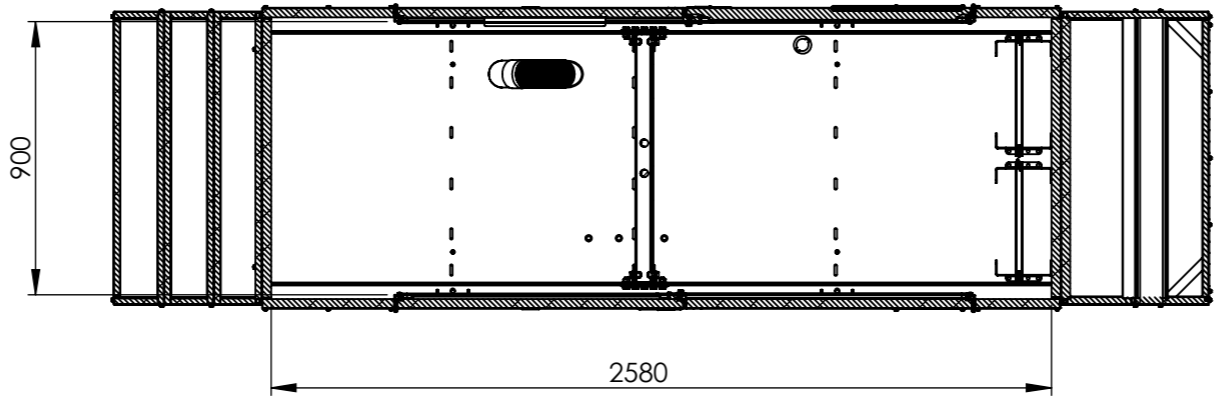


<b>SOUND PROOF SYSTEMS BV</b>				Draw. by:																									
				Date:	17-7-2015																								
<table border="1"> <thead> <tr> <th>Mod.</th> <th>Description:</th> <th>Date:</th> <th>Sign:</th> <th>Art.nr.: ARTICLE_NUMBER</th> <th>Dimensions: mm.</th> </tr> </thead> <tbody> <tr> <td>A</td> <td></td> <td></td> <td></td> <td rowspan="3">Name: <b>FP-200 incl. non-bunded base</b></td> <td rowspan="3"></td> </tr> <tr> <td>B</td> <td></td> <td></td> <td></td> </tr> <tr> <td>C</td> <td></td> <td></td> <td></td> </tr> </tbody> </table>		Mod.	Description:	Date:	Sign:	Art.nr.: ARTICLE_NUMBER	Dimensions: mm.	A				Name: <b>FP-200 incl. non-bunded base</b>		B				C				<table border="1"> <tr> <td>Check. by:</td> <td>****</td> </tr> <tr> <td>Scale:</td> <td>1:35</td> </tr> <tr> <td>Size:</td> <td>A3</td> </tr> </table>		Check. by:	****	Scale:	1:35	Size:	A3
		Mod.	Description:	Date:	Sign:	Art.nr.: ARTICLE_NUMBER	Dimensions: mm.																						
A				Name: <b>FP-200 incl. non-bunded base</b>																									
B																													
C																													
Check. by:	****																												
Scale:	1:35																												
Size:	A3																												
Your reference:		SHEET 1 OF 5		Third angle projection 	Drawing nr.: <b>FP-200 non-bunded</b>																								

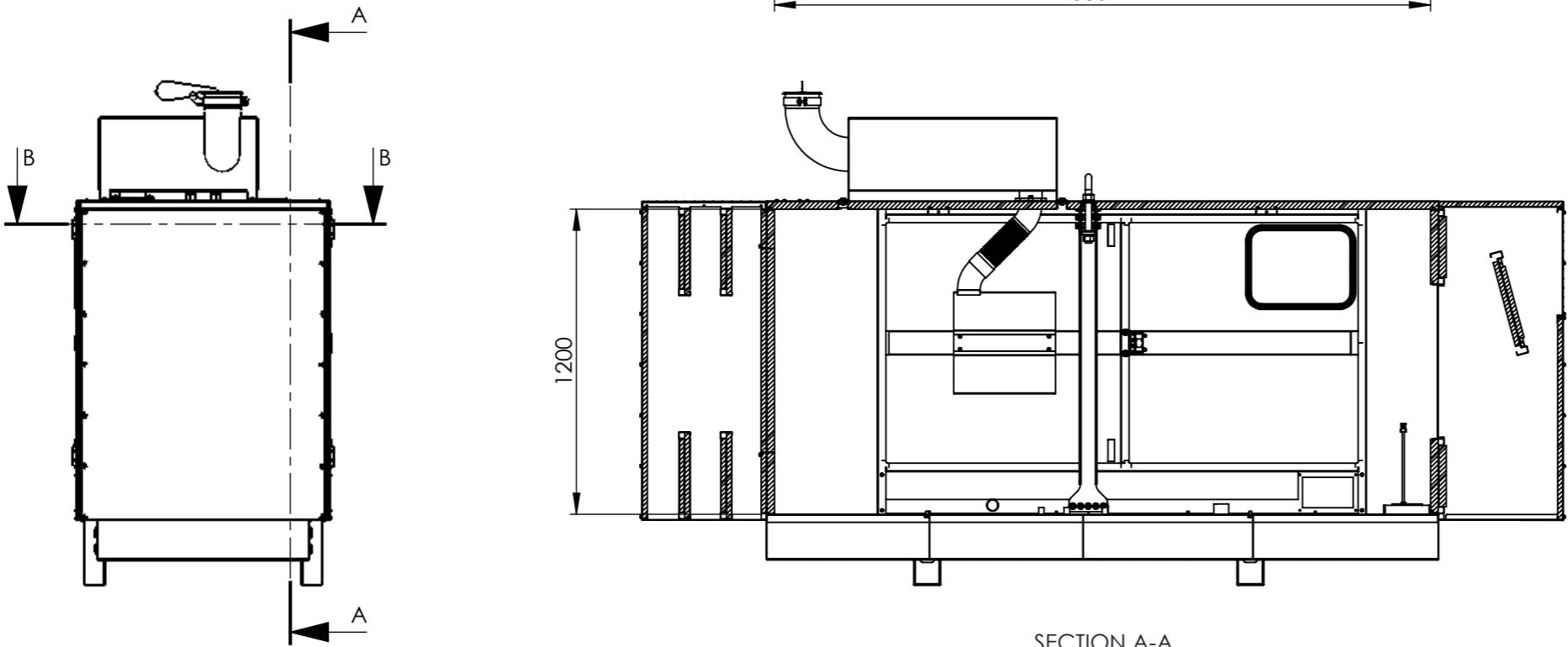
REV.	DESCRIPTION	DATE	DRAWN

Fueltank volume (approx): 380 L  
 Weight (approx): 500 kg

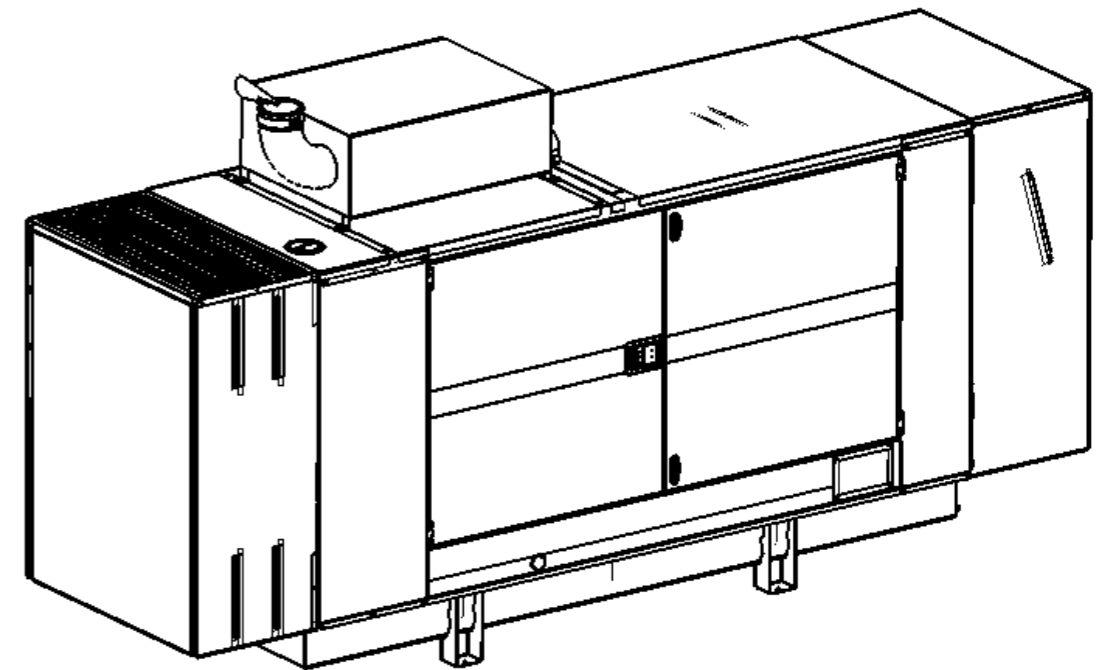
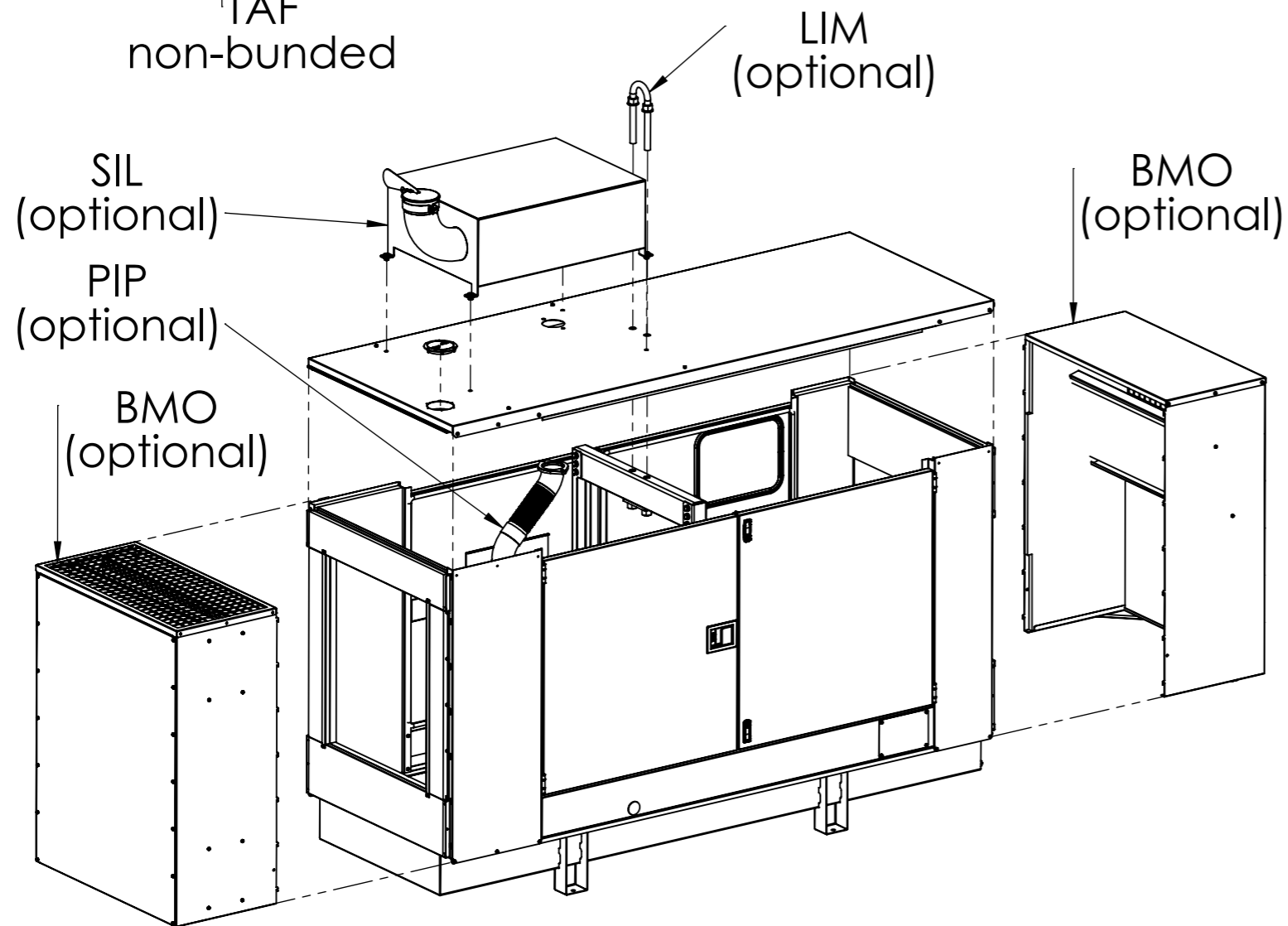
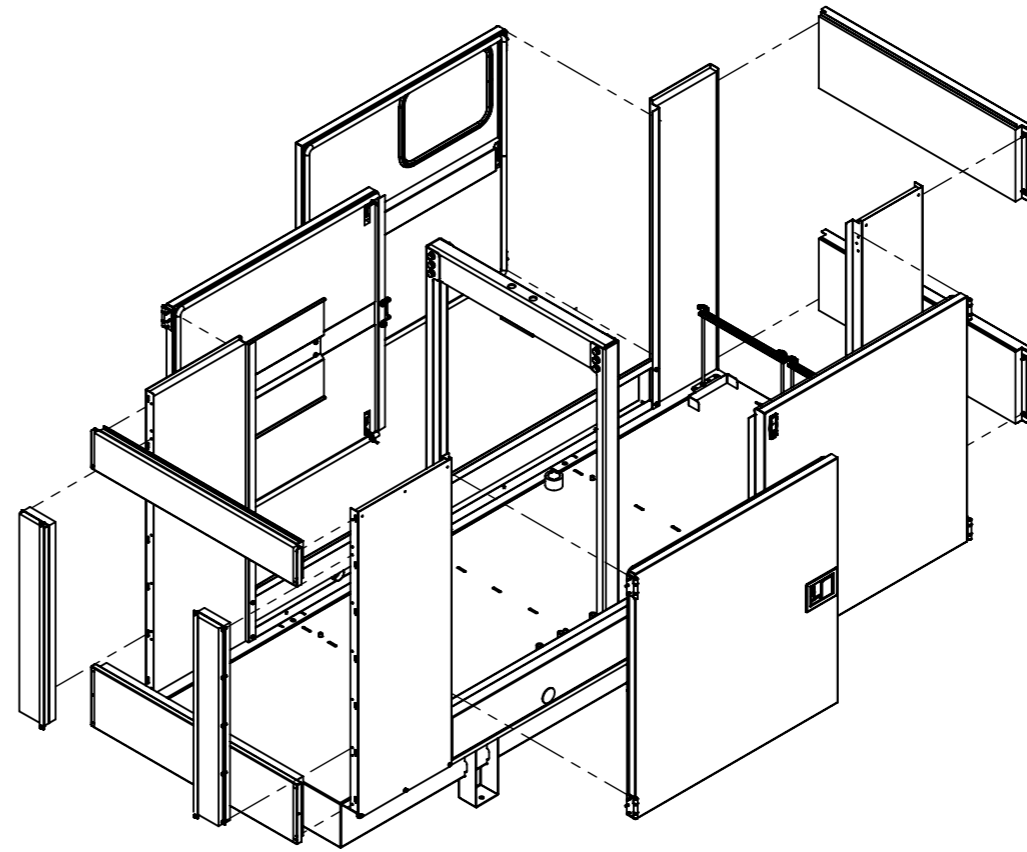
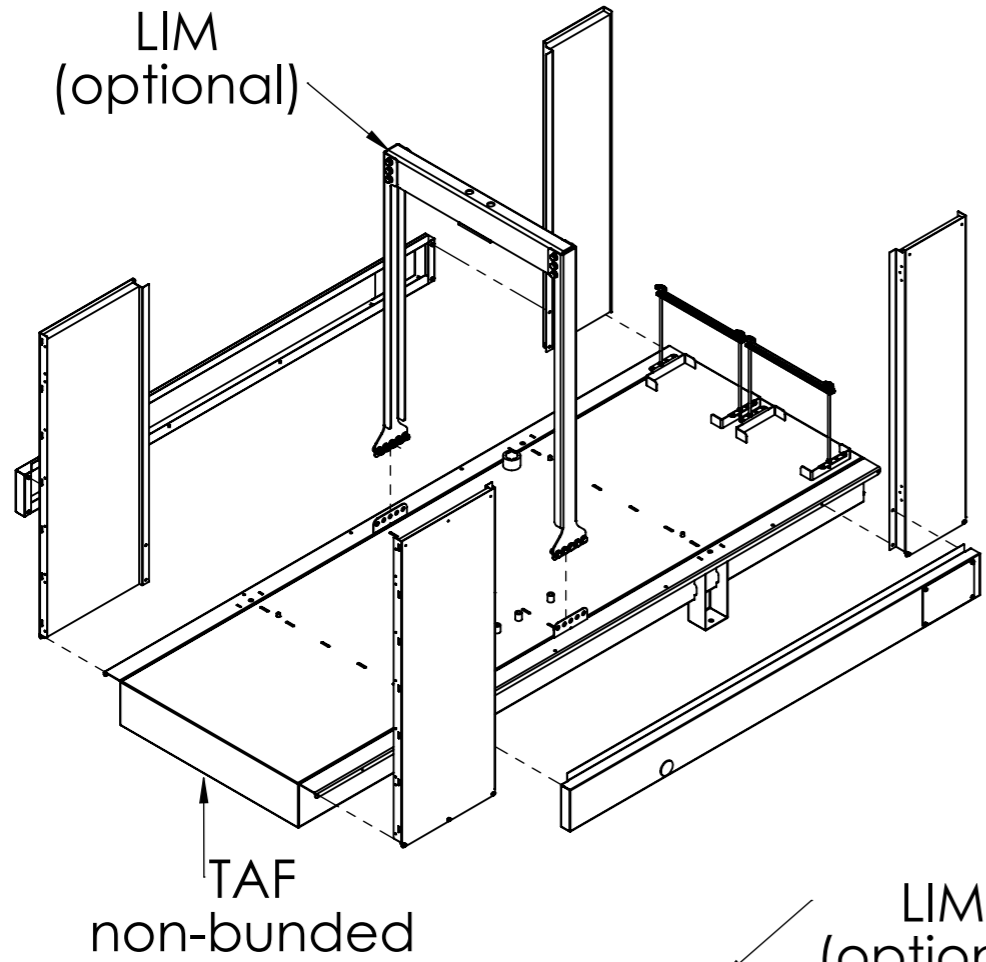
SECTION B-B



SECTION A-A




<b>SOUND PROOF SYSTEMS BV</b>				Draw. by:																			
				Date:	17-7-2015																		
<table border="1"> <thead> <tr> <th>Mod.</th> <th>Description:</th> <th>Date:</th> <th>Sign:</th> <th>Art.nr.: ARTICLE_NUMBER</th> <th>Dimensions: mm.</th> </tr> </thead> <tbody> <tr> <td>A</td> <td> </td> <td> </td> <td> </td> <td rowspan="3">Name:</td> <td rowspan="3">FP-200 incl. non-bunded base</td> </tr> <tr> <td>B</td> <td> </td> <td> </td> <td> </td> </tr> <tr> <td>C</td> <td> </td> <td> </td> <td> </td> </tr> </tbody> </table>		Mod.	Description:	Date:	Sign:	Art.nr.: ARTICLE_NUMBER	Dimensions: mm.	A				Name:	FP-200 incl. non-bunded base	B				C				Check. by:	****
		Mod.	Description:	Date:	Sign:	Art.nr.: ARTICLE_NUMBER	Dimensions: mm.																
A				Name:	FP-200 incl. non-bunded base																		
B																							
C																							
<table border="1"> <thead> <tr> <th colspan="2">Your reference:</th> <th colspan="2">SHEET 2 OF 5</th> </tr> </thead> <tbody> <tr> <td> </td> <td> </td> <td> </td> <td> </td> </tr> </tbody> </table>		Your reference:		SHEET 2 OF 5						Scale:	1:25												
		Your reference:		SHEET 2 OF 5																			
<table border="1"> <thead> <tr> <th colspan="2">Third angle projection</th> </tr> </thead> <tbody> <tr> <td> </td> <td>           Drawing nr.:  <b>FP-200 non-bunded</b> </td> </tr> </tbody> </table>		Third angle projection			Drawing nr.: <b>FP-200 non-bunded</b>	Size:	A3																
		Third angle projection																					
	Drawing nr.: <b>FP-200 non-bunded</b>																						



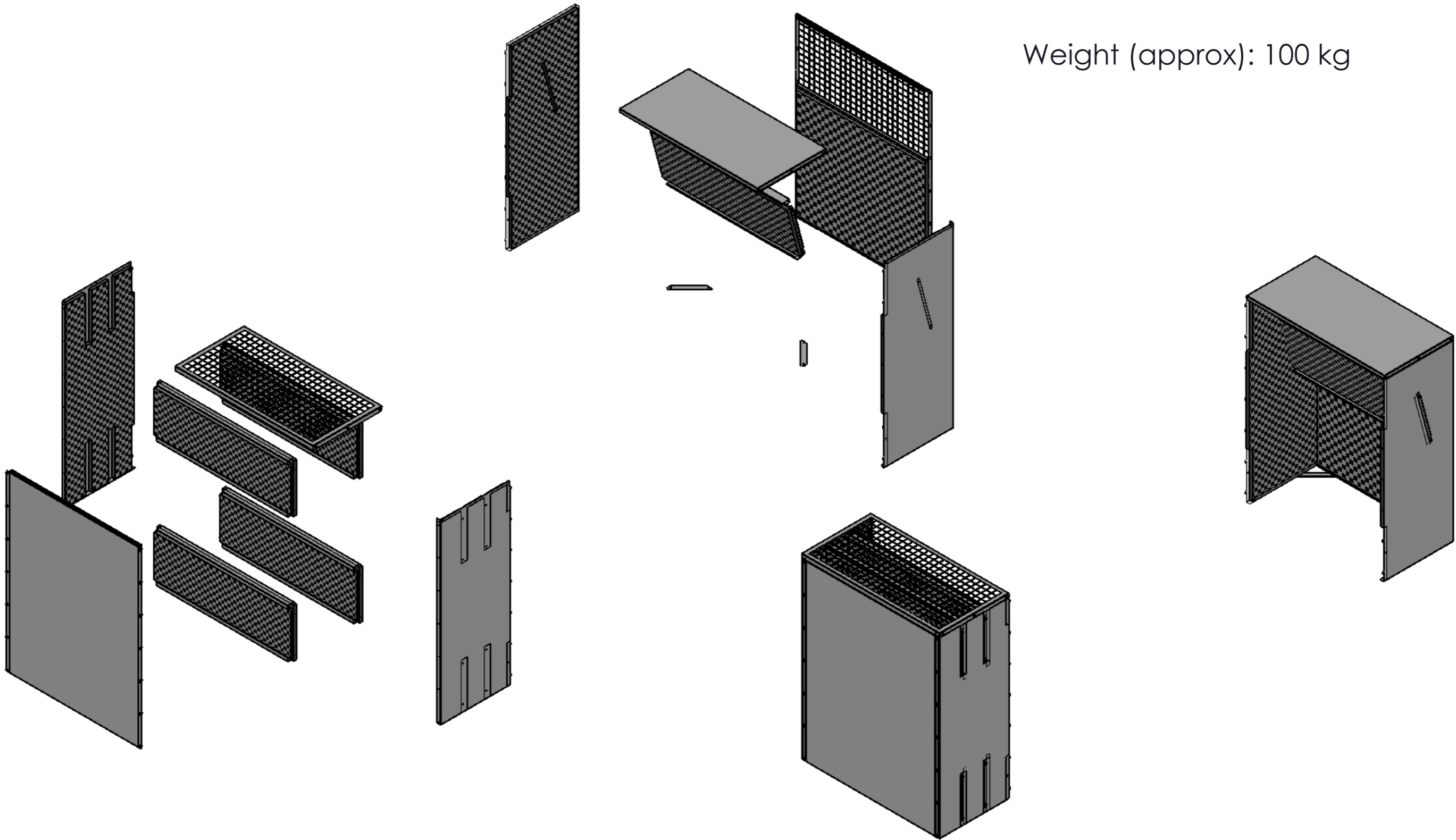
SOUND PROOF  
SYSTEMS BV





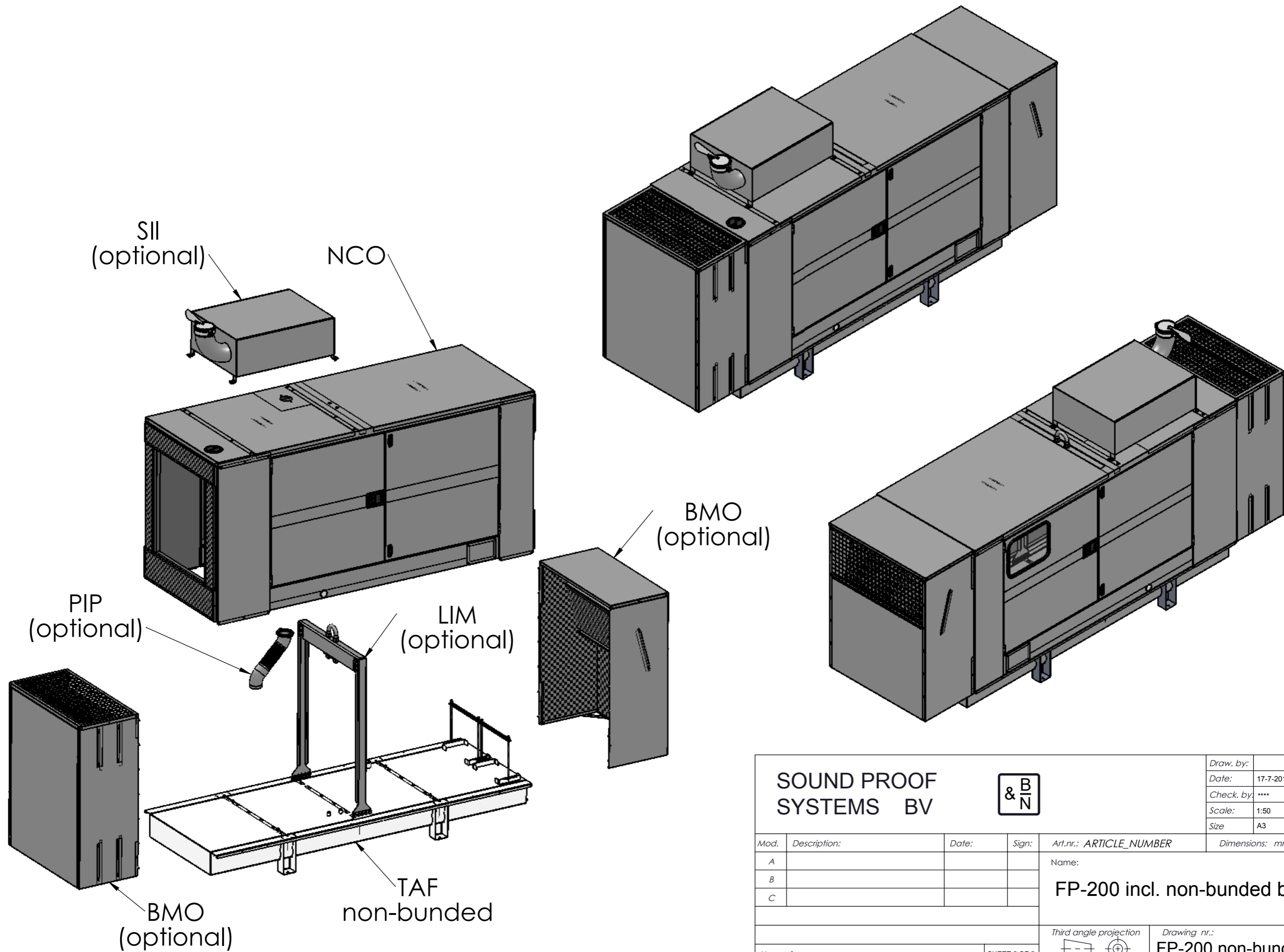
Draw. by:  
Date: 17-7-2015  
Check. by: \*\*\*\*  
Scale: 1:25  
Size: A3

Mod.	Description:	Date:	Sign:	Art.nr.: ARTICLE_NUMBER	Dimensions: mm.
A				Name: <b>FP-200 incl. non-bunded base</b>	
B					
C					
Your reference:				SHEET 3 OF 5	Third angle projection  Drawing nr.: <b>FP-200 non-bunded</b>

Weight (approx): 100 kg



<b>SOUND PROOF SYSTEMS BV</b>				Draw. by:	
				Date:	17-7-2015
				Check. by:	****
				Scale:	1:50
				Size	A3
Mod.	Description:	Date:	Sign:	Art.nr.: ARTICLE_NUMBER	Dimensions: mm.
A				Name:	<b>BMO-200</b>
B					
C					
				Third angle projection 	Drawing nr.: <b>FP-200 non-bunded</b>
Your reference:			SHEET 4 OF 5		



SII  
(optional)

NCO

PIP  
(optional)

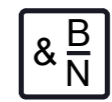
LIM  
(optional)

BMO  
(optional)

BMO  
(optional)

TAF  
non-bunded

SOUND PROOF  
SYSTEMS BV



Draw. by:	
Date:	17-7-2015
Check. by:	****
Scale:	1:50
Size:	A3

Mod.	Description:	Date:	Sign:	Art.nr.: ARTICLE_NUMBER	Dimensions: mm.
A				Name: <b>FP-200 incl. non-bunded base</b>	
B					
C					

Your reference:	SHEET 5 OF 5	Third angle projection 	Drawing nr.: <b>FP-200 non-bunded</b>
-----------------	--------------	----------------------------	--