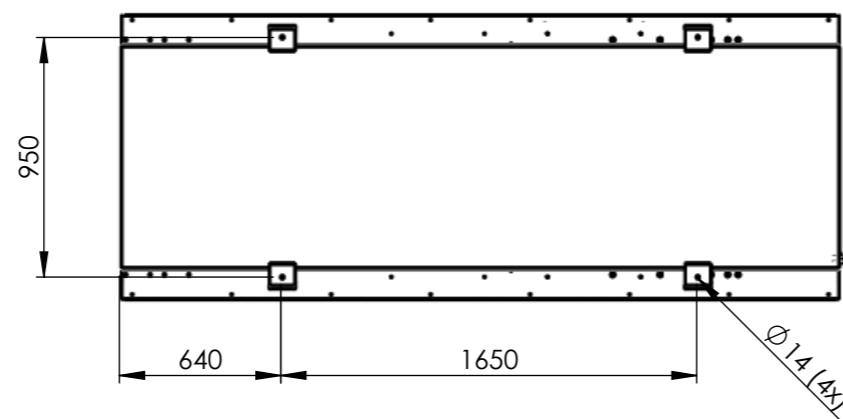
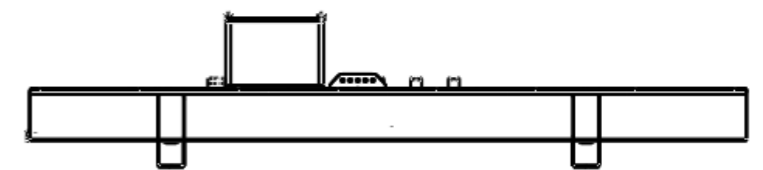
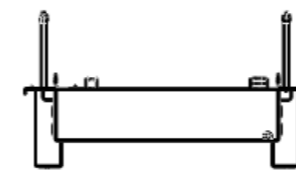
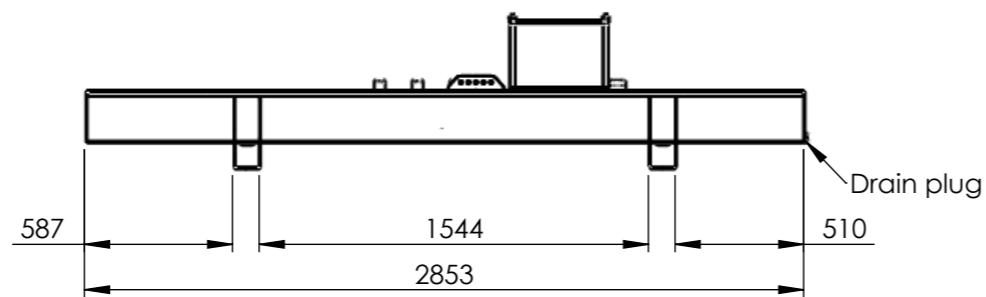
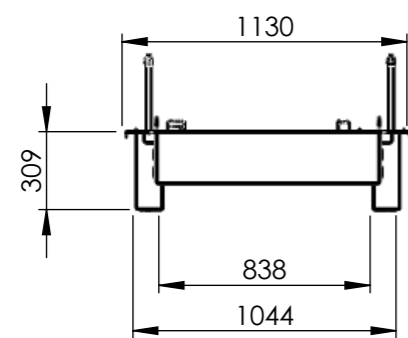
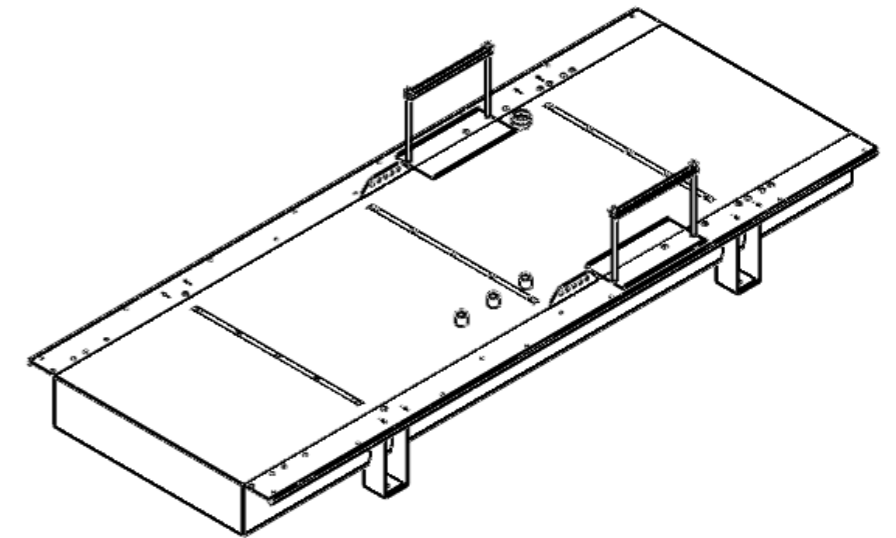
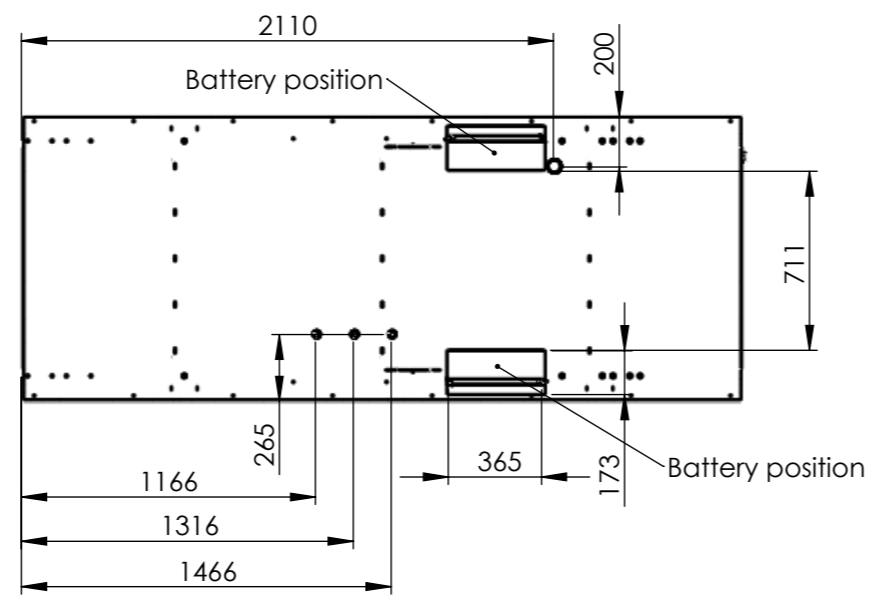


REV.	DESCRIPTION	DATE	DRAWN



Fueltank volume (approx): 500 L
Weight (approx): 193 kg

SOUND PROOF
SYSTEMS BV



Draw. by: ****
Date: 3-9-2015
Check. by: ****
Scale: 1:30
Size: A3

Mod.	Description:	Date:	Sign:	Art.nr.: ARTICLE_NUMBER	Dimensions: mm.
A				Name: TAF-300 non-bunded	
B					
C					
Your reference:				SHEET 1 OF 1	Third angle projection Drawing nr.: TAF-300 non-bunded