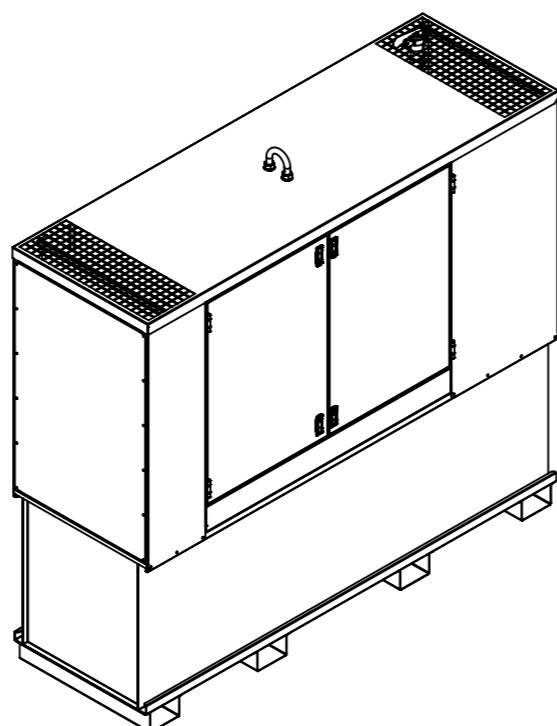
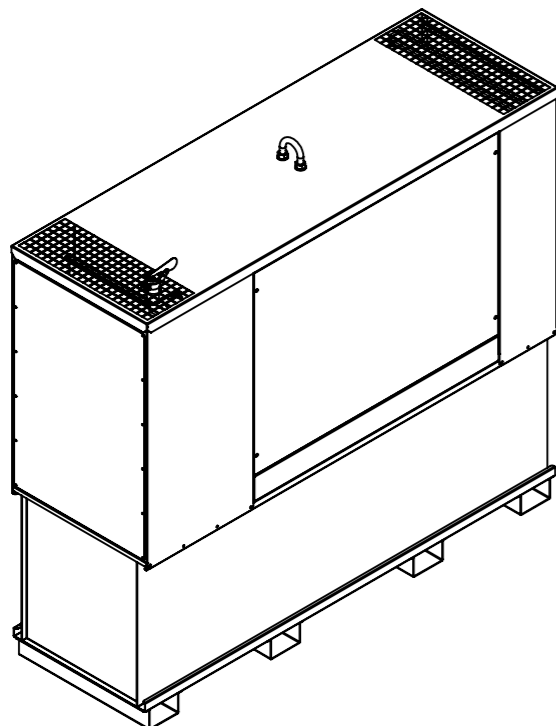
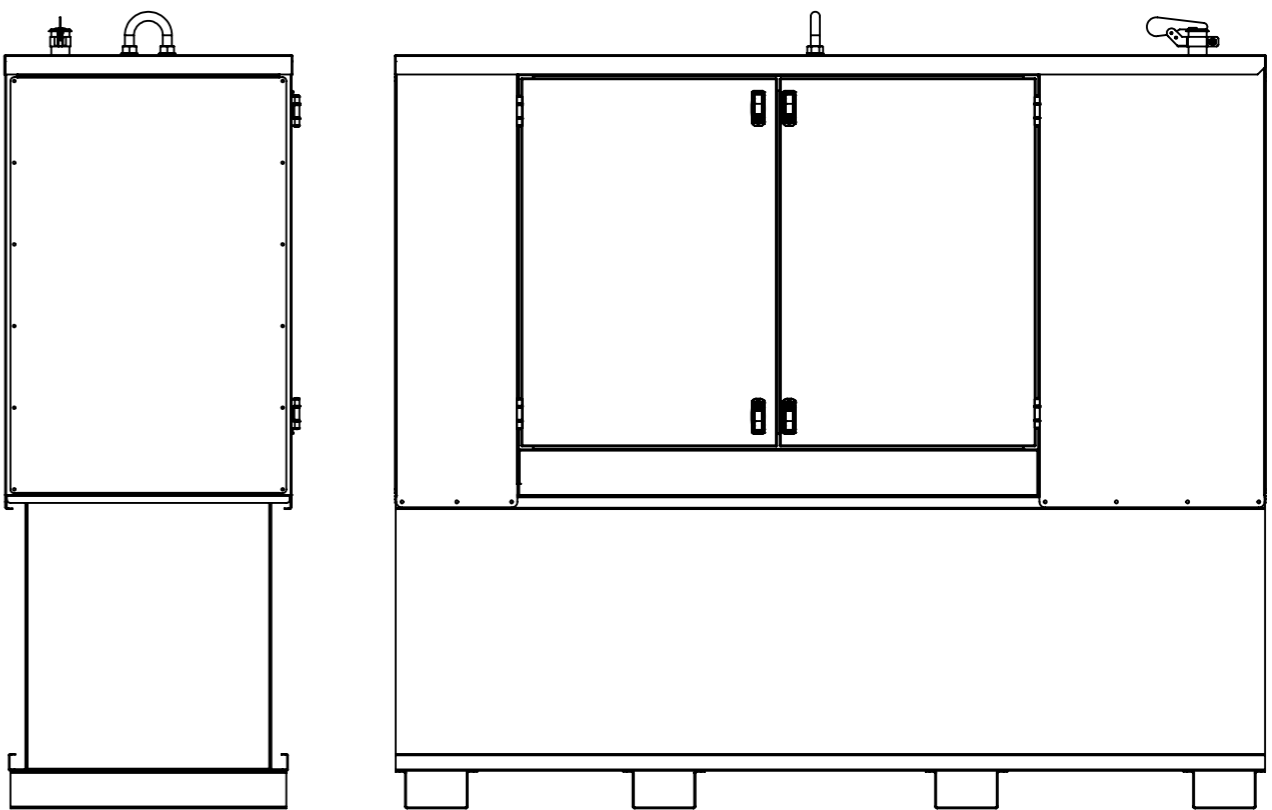
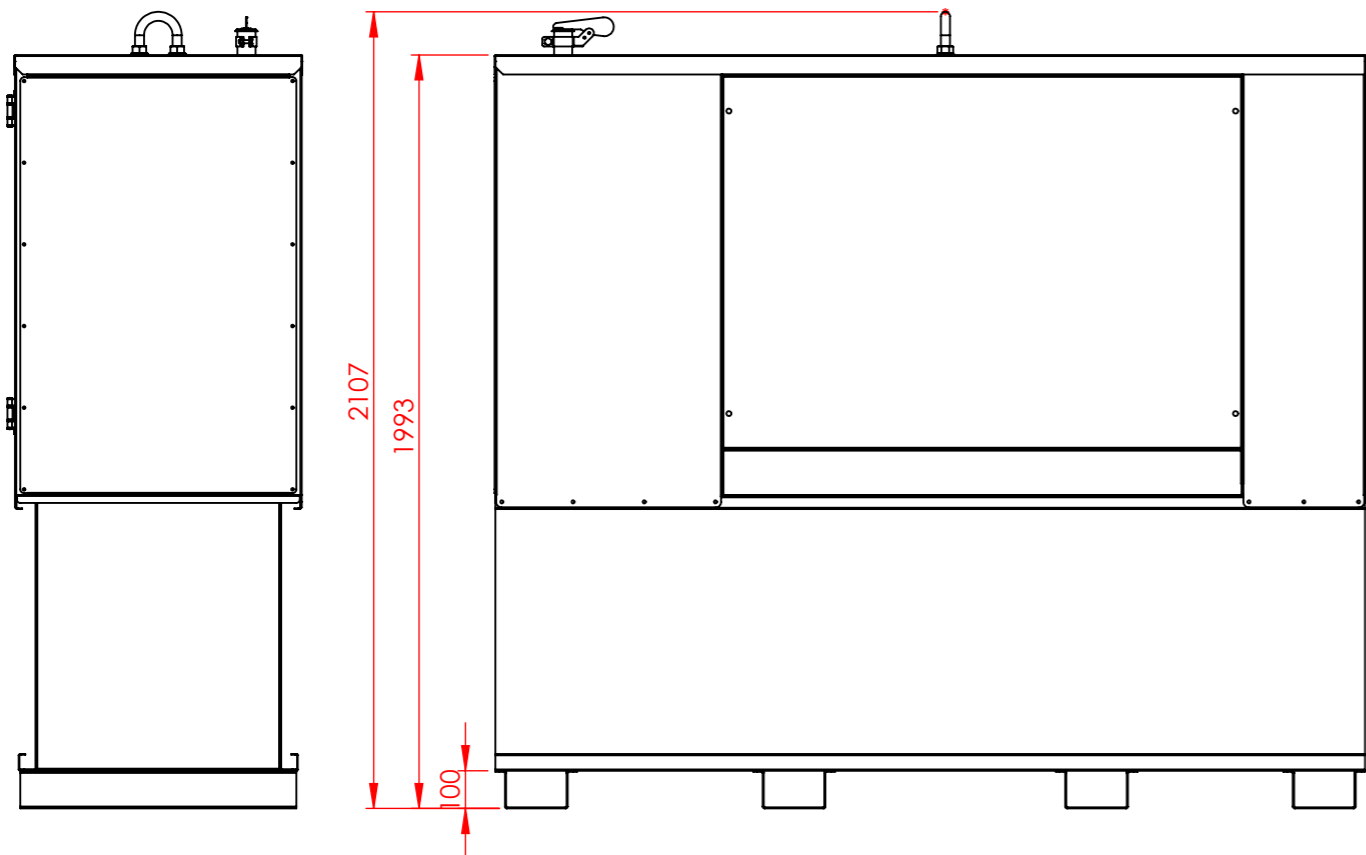
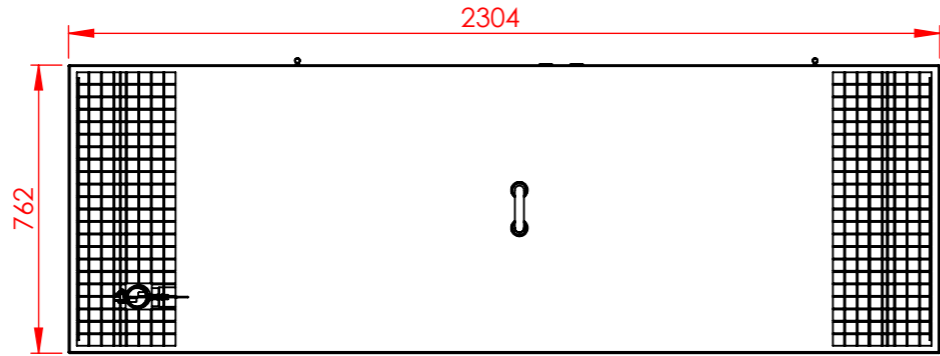




REV.	DESCRIPTION	DATE	DRAWN

404-22 20kVA 60dB @ 1mtr.
 Fueltank volume (approx): 1000L.
 Dry weight (approx): 900kgs.



SOUND PROOF SYSTEMS BV 		Draw. by:	****																				
		Date:																					
<table border="1"> <thead> <tr> <th>Mod.</th> <th>Description:</th> <th>Date:</th> <th>Sign:</th> <th>Art.nr.: ARTICLE_NUMBER</th> <th>Dimensions: mm.</th> </tr> </thead> <tbody> <tr> <td>A</td> <td> </td> <td> </td> <td> </td> <td rowspan="3">Name: ****</td> <td rowspan="3"> </td> </tr> <tr> <td>B</td> <td> </td> <td> </td> <td> </td> </tr> <tr> <td>C</td> <td> </td> <td> </td> <td> </td> </tr> </tbody> </table>		Mod.	Description:	Date:	Sign:	Art.nr.: ARTICLE_NUMBER	Dimensions: mm.	A				Name: ****		B				C				Check. by:	****
		Mod.	Description:	Date:	Sign:	Art.nr.: ARTICLE_NUMBER	Dimensions: mm.																
A				Name: ****																			
B																							
C																							
Your reference:		Scale:	1:20																				
		Size:	A3																				
SHEET 1 OF 1		Third angle projection 	Drawing nr.: 16466-001																				