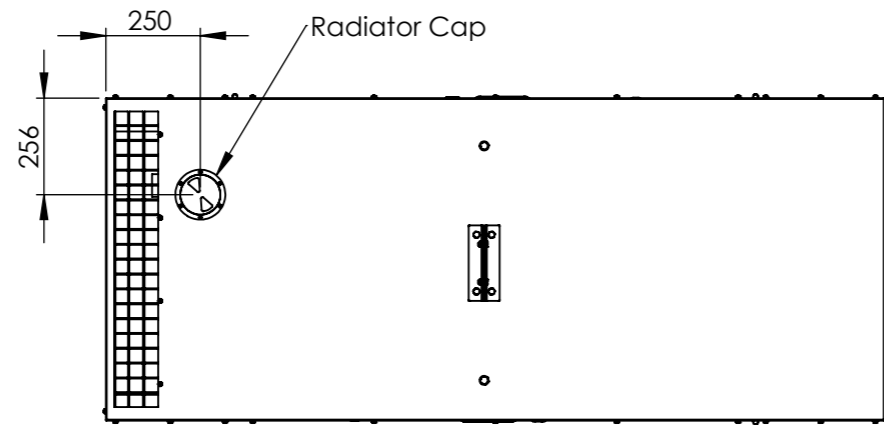
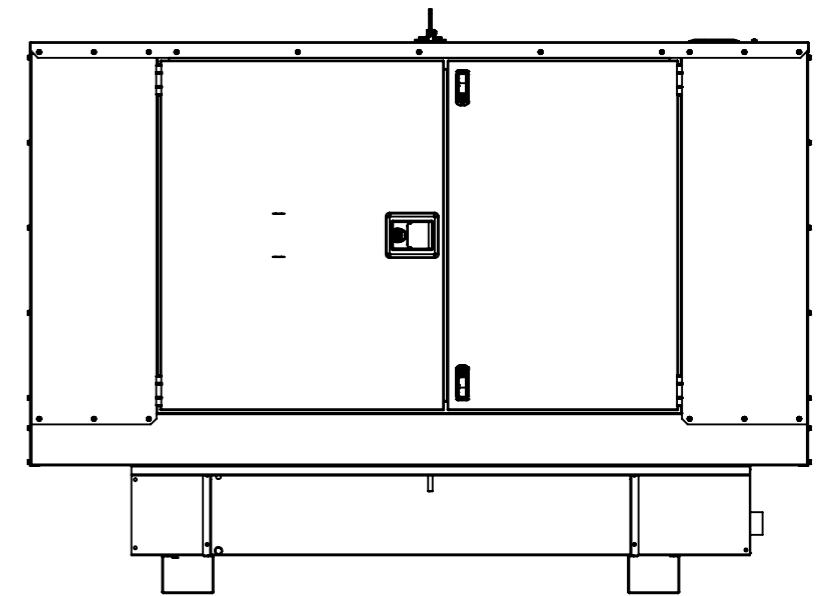
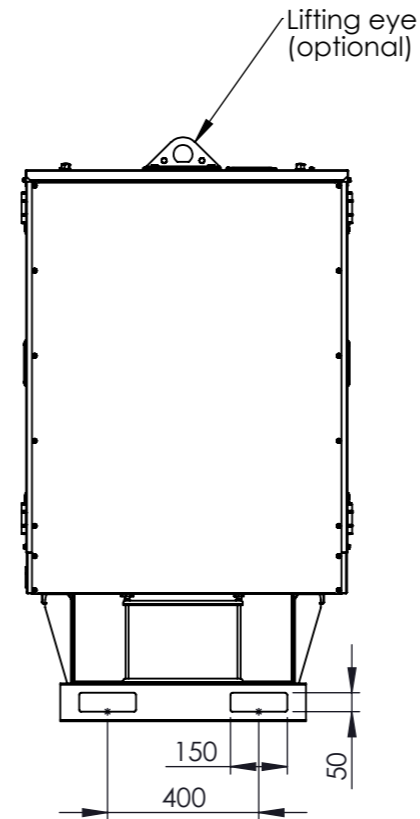
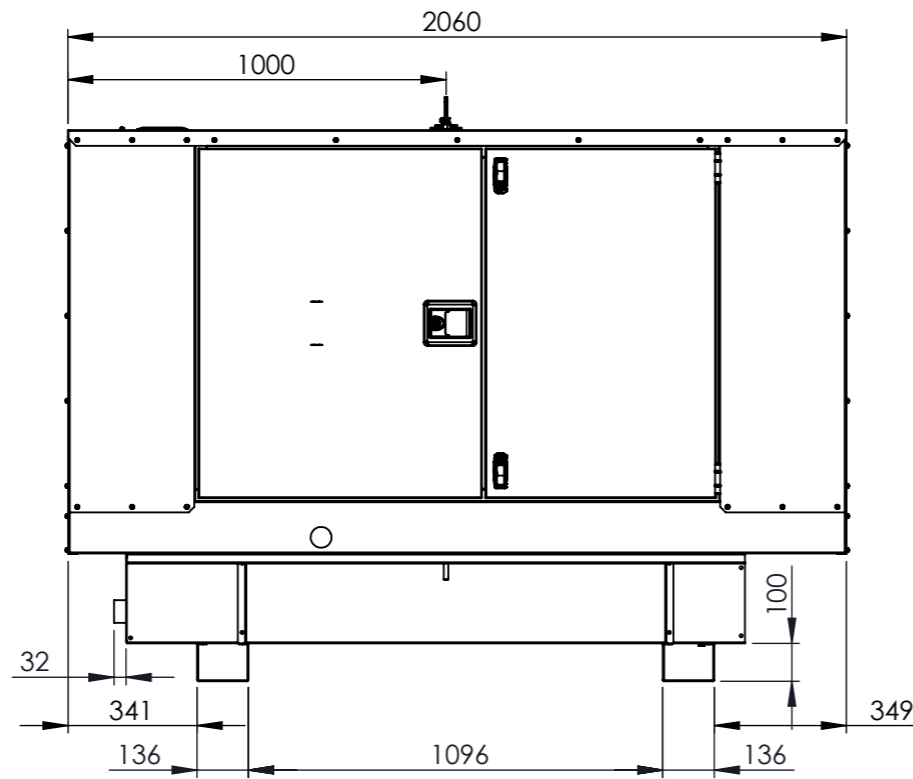
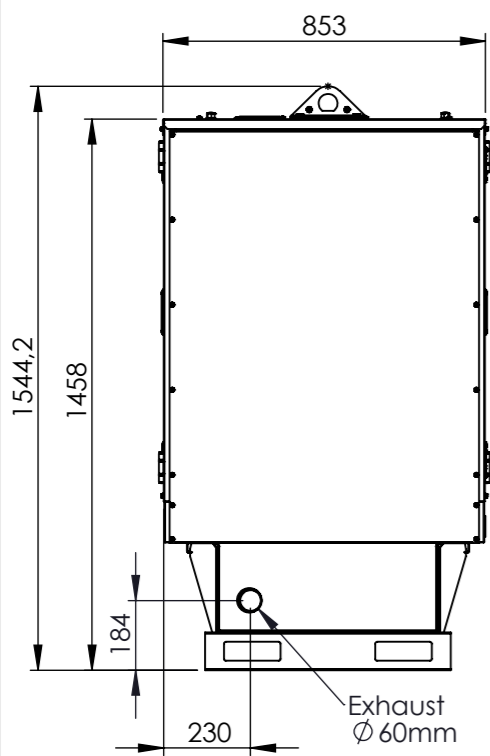


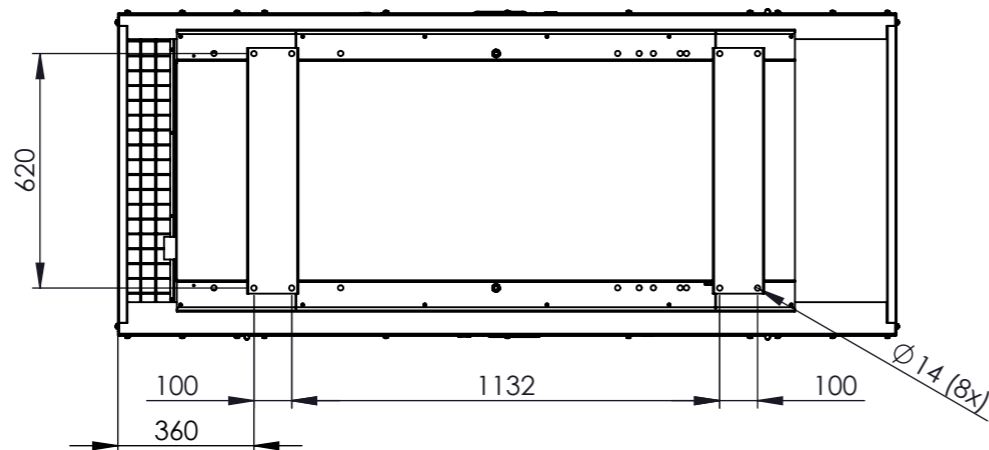
REV.	DESCRIPTION	DATE	DRAWN



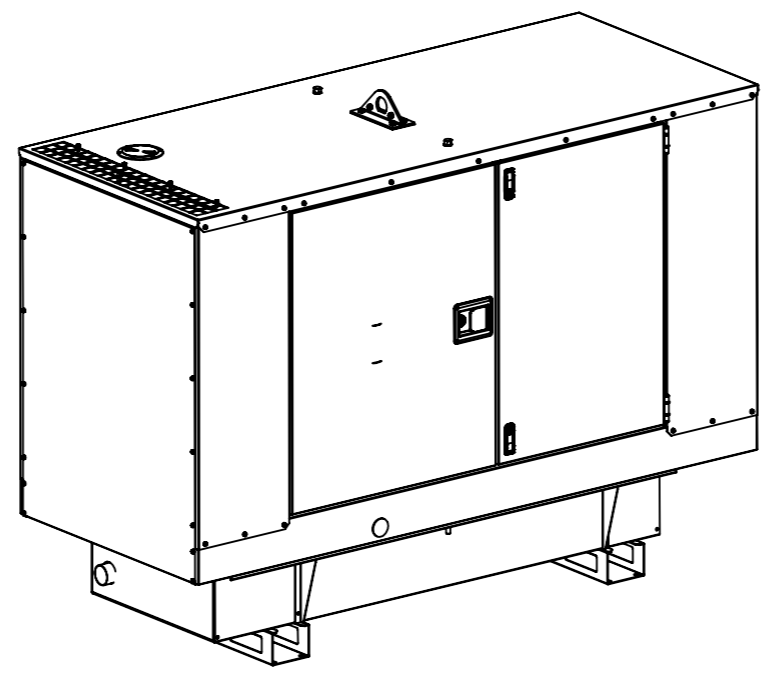
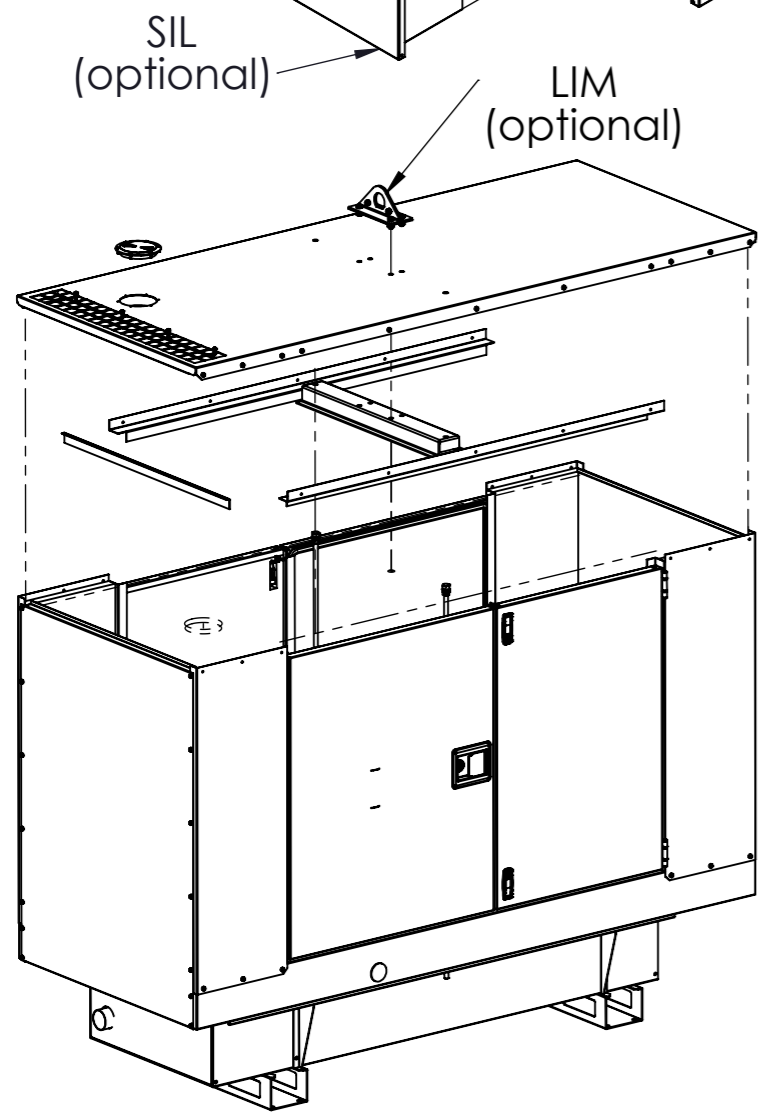
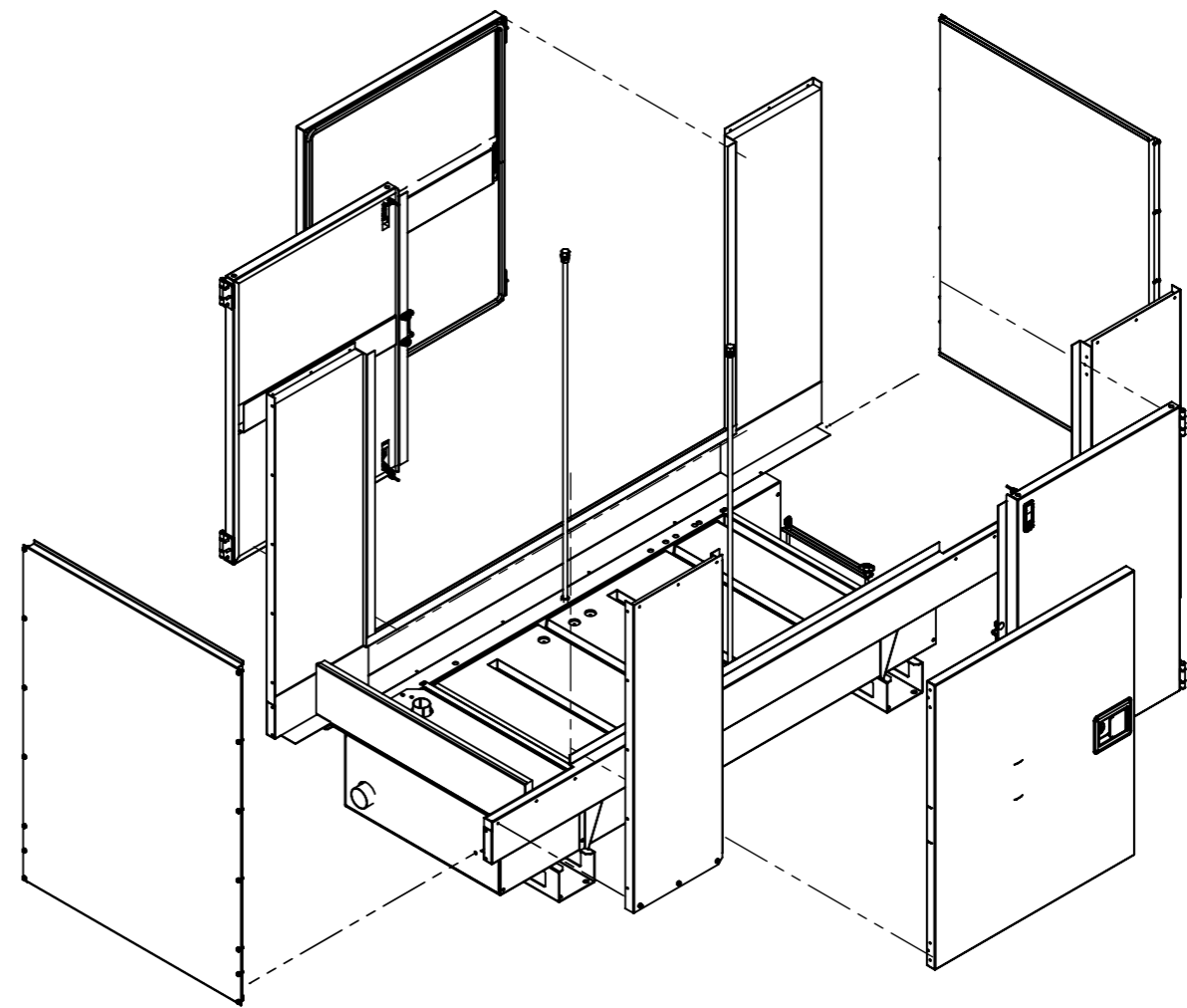
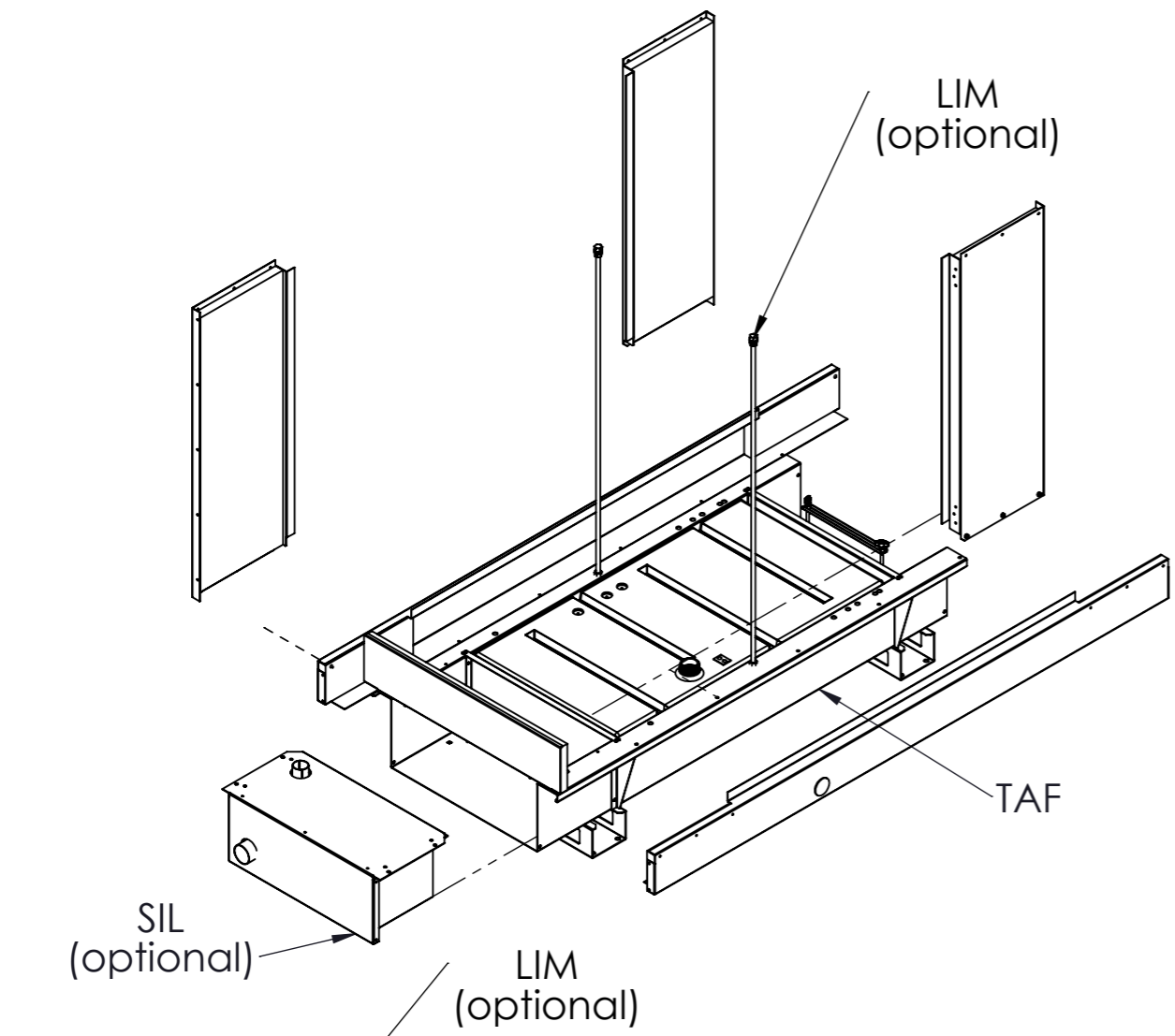
Fuel tank volume (approx): 130L  
Weight (approx): 225 kg



Floor mounting postions



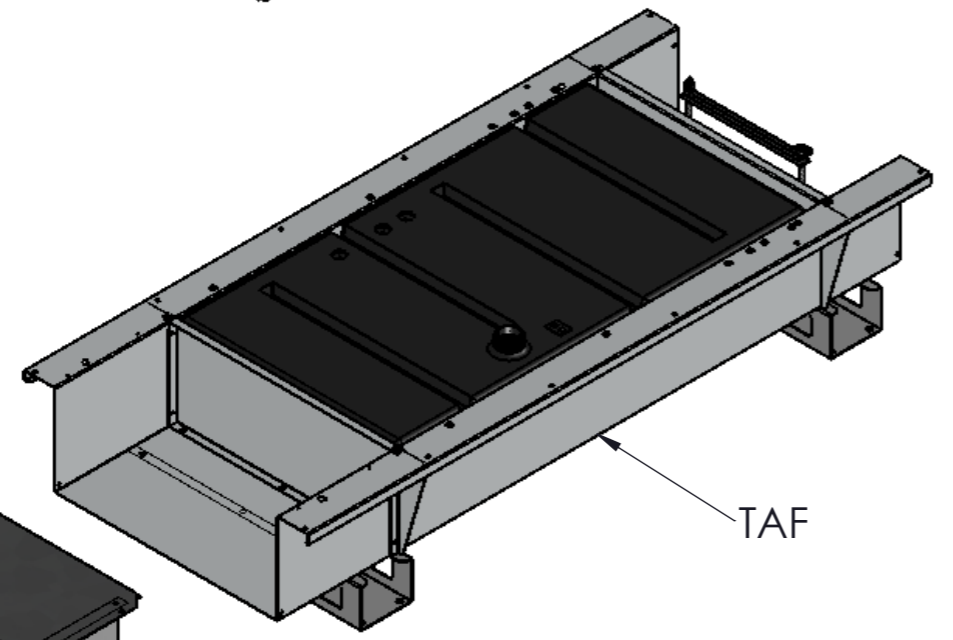
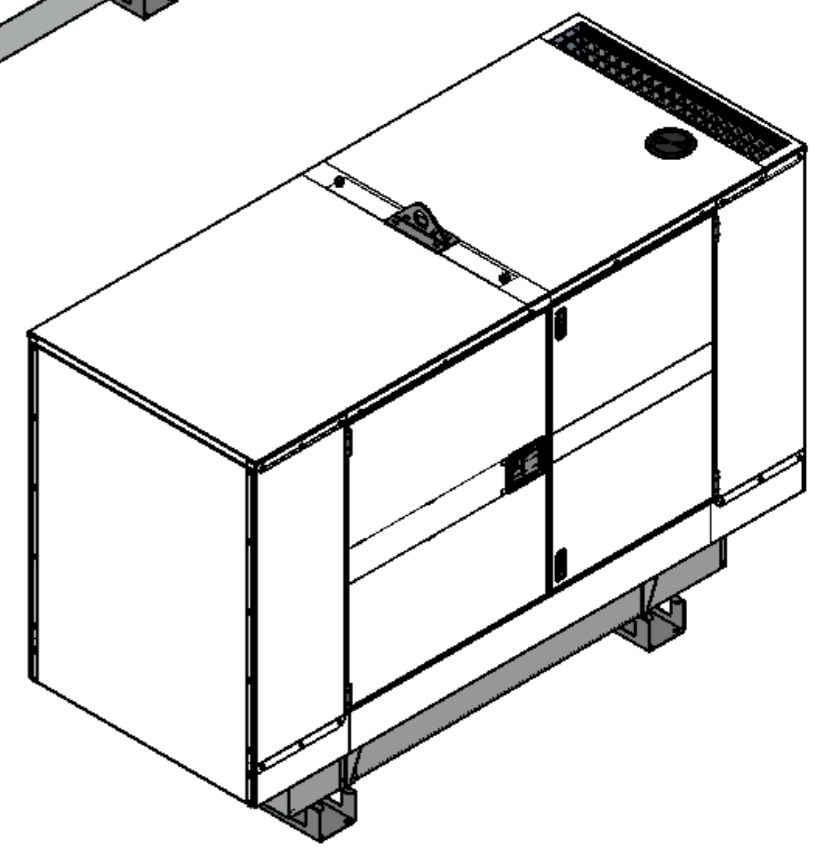
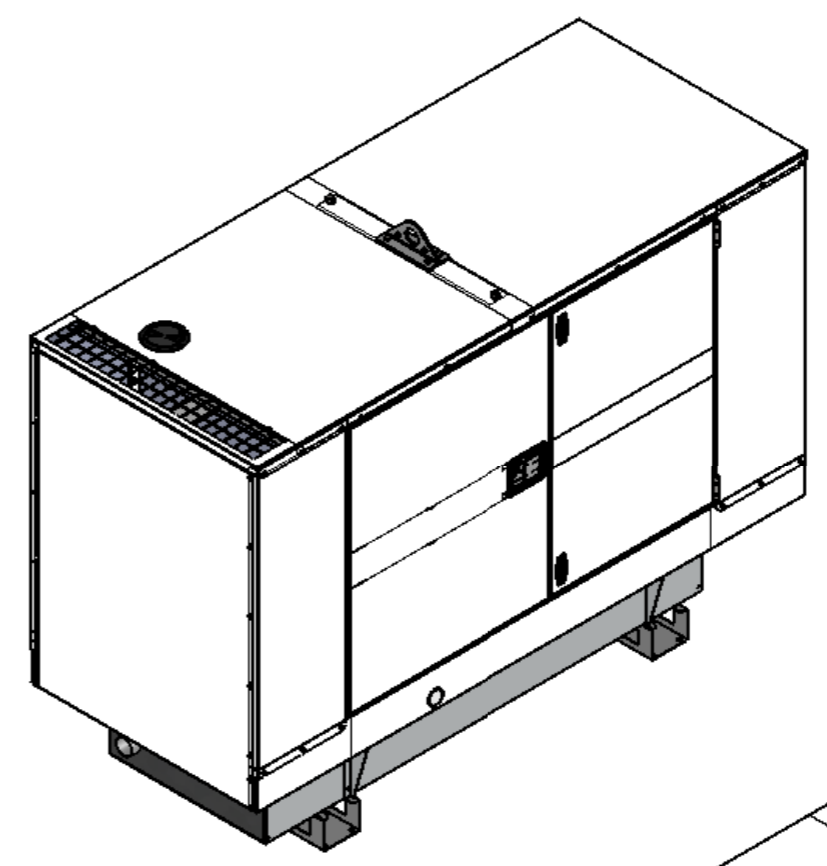
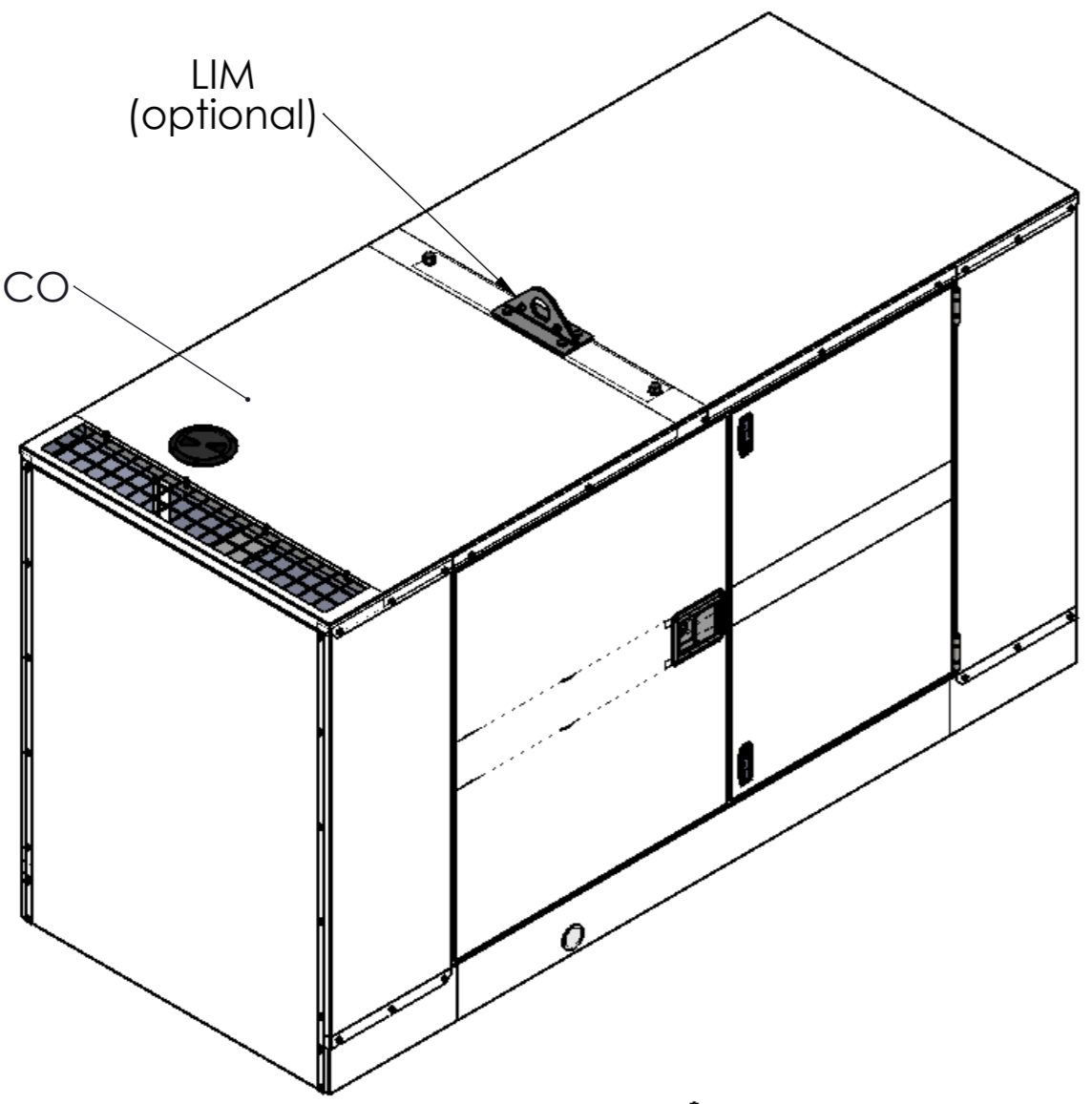
					Draw. by:	D.E.
					Date:	4-11-2016
					Check. by:	****
					Scale:	1:20
					Size:	A3
Mod.	Description:	Date:	Sign:	Art.nr.:	Dimensions: mm.	
A				Name:	<b>FP-060E Cummins S3.8 incl. bunded base</b>	
B						
C						
				Third angle projection	Drawing nr.:	
Your reference:					<b>FP-060E</b>	
					SHEET 1 OF 3	



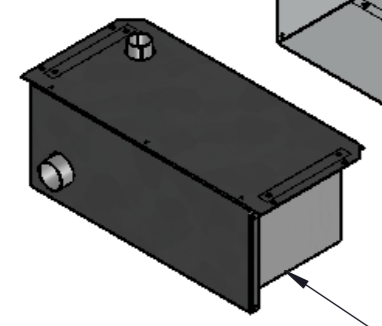
					Draw. by:	D.E.
					Date:	4-11-2016
					Check. by:	****
					Scale:	1:50
					Size:	A3
					Dimensions: mm.	
Mod.	Description:	Date:	Sign:	Art.nr.:	Name: <b>FP-060E Cummins S3.8 incl. bundled base</b>	
A						
B						
C						
					Third angle projection	Drawing nr.:
						<b>FP-060E</b>
Your reference:					SHEET 2 OF 3	

LIM  
(optional)

NCO



TAF



SIL  
(optional)

					Draw. by:	D.E.
					Date:	4-11-2016
					Check. by:	****
					Scale:	1:20
					Size:	A3
					Dimensions: mm.	
Mod.	Description:	Date:	Sign:	Art.nr.:	Name: <b>FP-060E Cummins S3.8 incl. bunded base</b>	
A						
B						
C						
					Third angle projection	Drawing nr.:
Your reference:						<b>FP-060E</b>
					SHEET 3 OF 3	