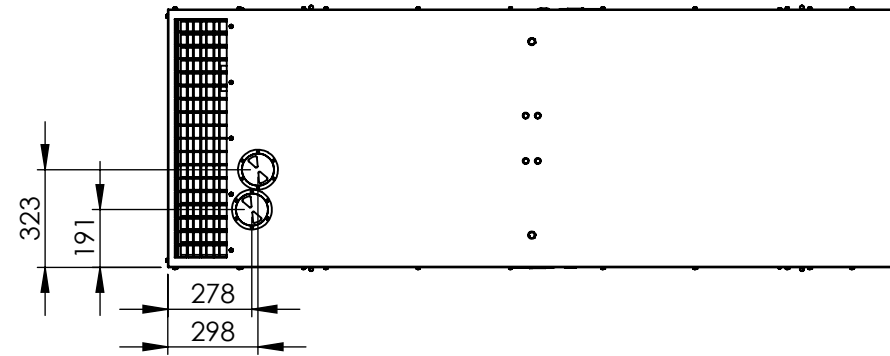
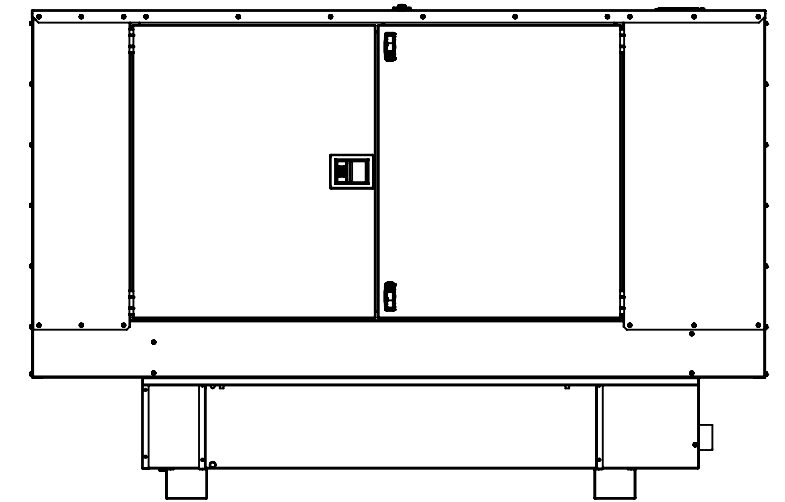
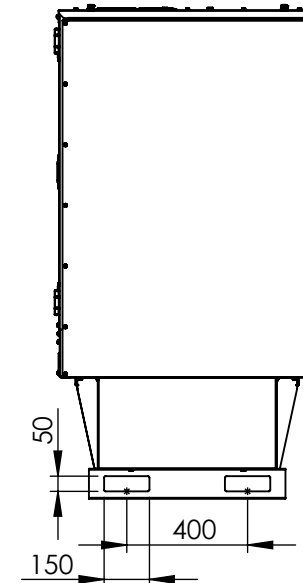
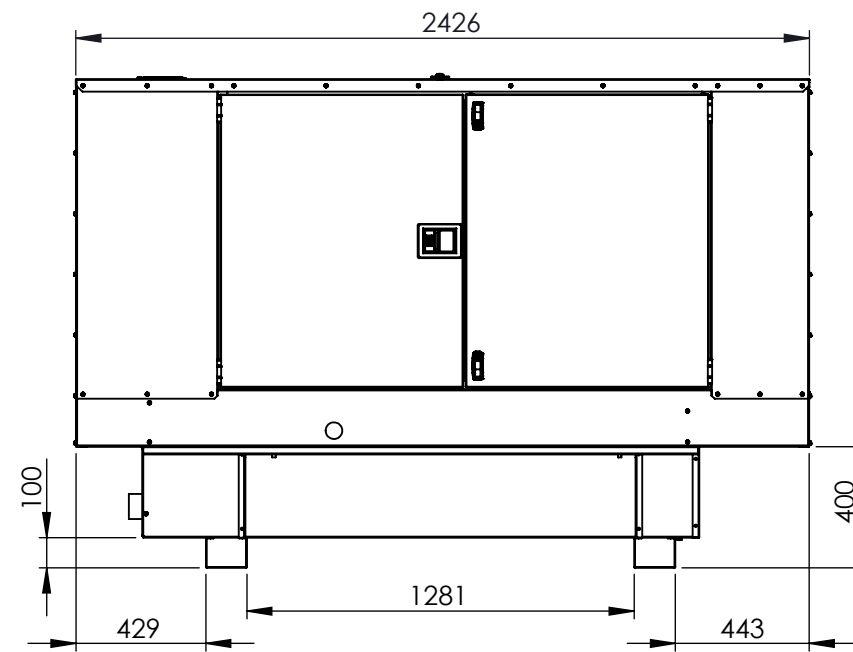
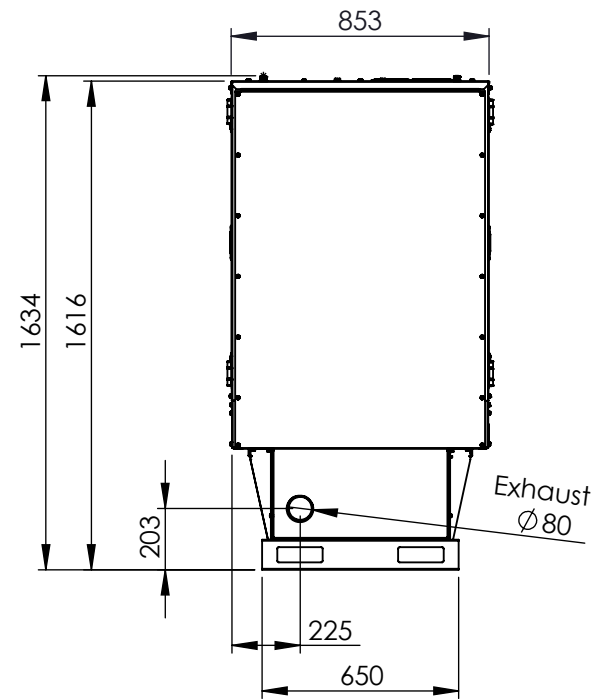


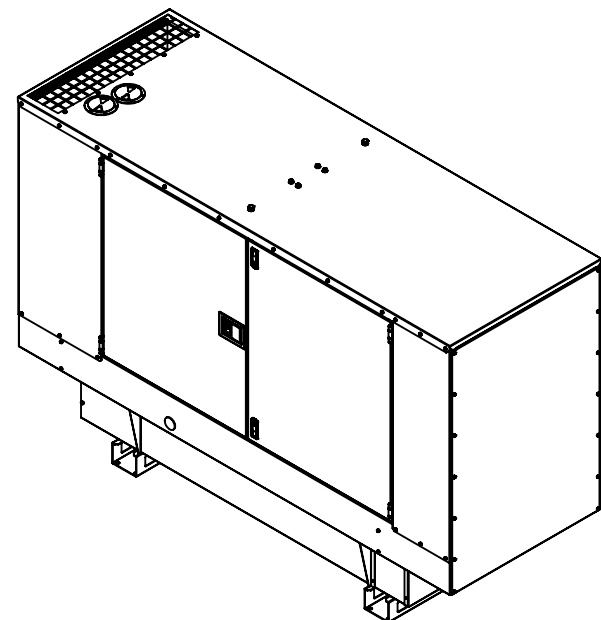
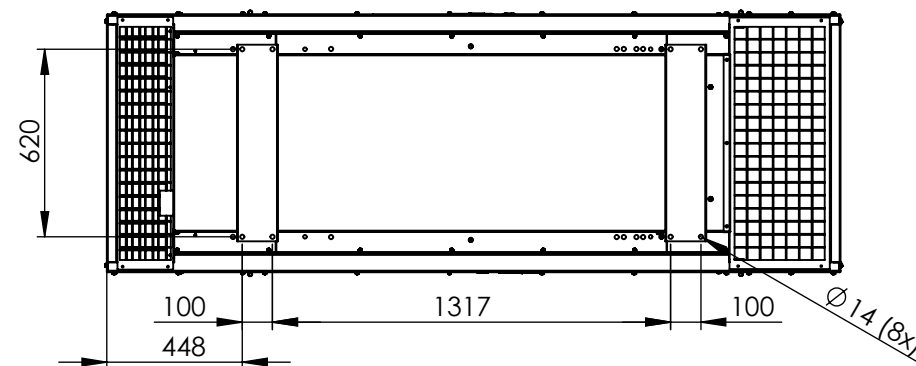
REV.	DESCRIPTION	DATE	DRAWN





Fueltank volume (approx): 200L
Weight (approx): 320kg



Floor mounting positions



SOUND PROOF SYSTEMS BV 		Draw. by:	D.E.																				
		Date:	7-11-2016																				
<table border="1"> <thead> <tr> <th>Mod.</th> <th>Description:</th> <th>Date:</th> <th>Sign:</th> <th>Art.nr.:</th> </tr> </thead> <tbody> <tr> <td>A</td> <td></td> <td></td> <td></td> <td></td> </tr> <tr> <td>B</td> <td></td> <td></td> <td></td> <td></td> </tr> <tr> <td>C</td> <td></td> <td></td> <td></td> <td></td> </tr> </tbody> </table>		Mod.	Description:	Date:	Sign:	Art.nr.:	A					B					C					Check. by:	****
		Mod.	Description:	Date:	Sign:	Art.nr.:																	
A																							
B																							
C																							
<table border="1"> <thead> <tr> <th colspan="2">Name:</th> </tr> </thead> <tbody> <tr> <td colspan="2" style="text-align: center;">FP-100E JCB 50-130kVA</td> </tr> </tbody> </table>		Name:		FP-100E JCB 50-130kVA		Scale:	1:25																
		Name:																					
FP-100E JCB 50-130kVA																							
<table border="1"> <thead> <tr> <th colspan="2">Your reference:</th> </tr> </thead> <tbody> <tr> <td colspan="2">SHEET 1 OF 1</td> </tr> </tbody> </table>		Your reference:		SHEET 1 OF 1		Size:	A3																
		Your reference:																					
SHEET 1 OF 1																							
		Dimensions: mm.																					
		Third angle projection Drawing nr.: FP-10002																					